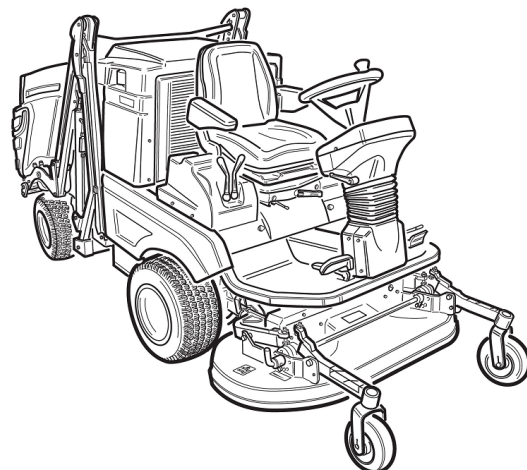
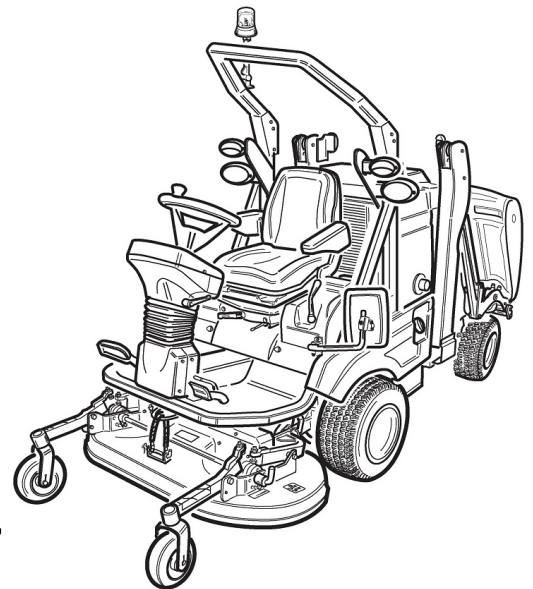


Inhoudsopgave

Aandrijving Pomp & Koelvin	72
Achteras 2WD & Stuur Cilinder	17
Achteras 4WD & Stuur Cilinder	19
Elektische Delen	96
Frame & Rem	4
Grasvang Bak	23
Hoogkiep Inrichting	9
Hydrauliek Aandrijving Wielen	56
Hydrauliek Hef & Hef Cilinders	52
Hydrauliek Hoogkiep	48
Hydrauliek Stuur & Tank	39
Kappen & Stuur en Zitting	29
Luchtfilter & Tank	66
Motor Daihatsu	78
Rolbeugel	116
Stickers	104
Wielen	92



Gianni Ferrari



CATALOGO PARTI DI RICAMBIO

CATALOGUE PIECES DETACHEES

SPARE PARTS CATALOGUE

TERSATZTEILKATALOG



COMPOSIZIONE CODICE D'ORDINE

NUMERO DI MATRICOLA ALFANUMERICO DEL TELAIO + CODICE PARTICOLARE DI RICAMBIO

COMPOSITION OF THE ORDER CODE

ALPHANUMERICAL SERIAL NUMBER OF THE FRAME CODE NUMBER OF THE SPARE PART

COMPOSITION DU CODE DE L'ORDRE

NUMÉRO DE SÉRIE ALPHANUMÉRIQUE DU CHÂSSIS + CODE AU PIECE DE RECHANGE

AUFBAU DES BESTELLKODE

ALPHANUMERISCHE SERIENNUMMER DES GERÜSTES HINWEIS AUF DAS CODE

MATRICOLA CATALOGO

NUMERO DI MATRICOLA ALFANUMERICO DEL TELAIO

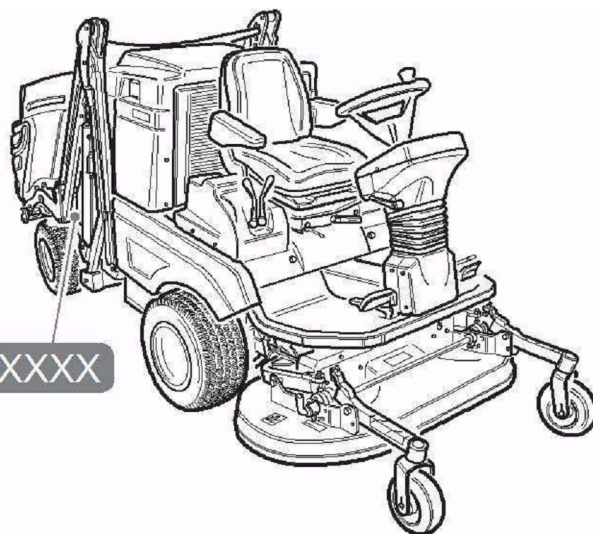
ALPHANUMERICAL SERIAL NUMBER OF THE FRAME

NUMÉRO DE SÉRIE ALPHANUMÉRIQUE DU CHÂSSIS

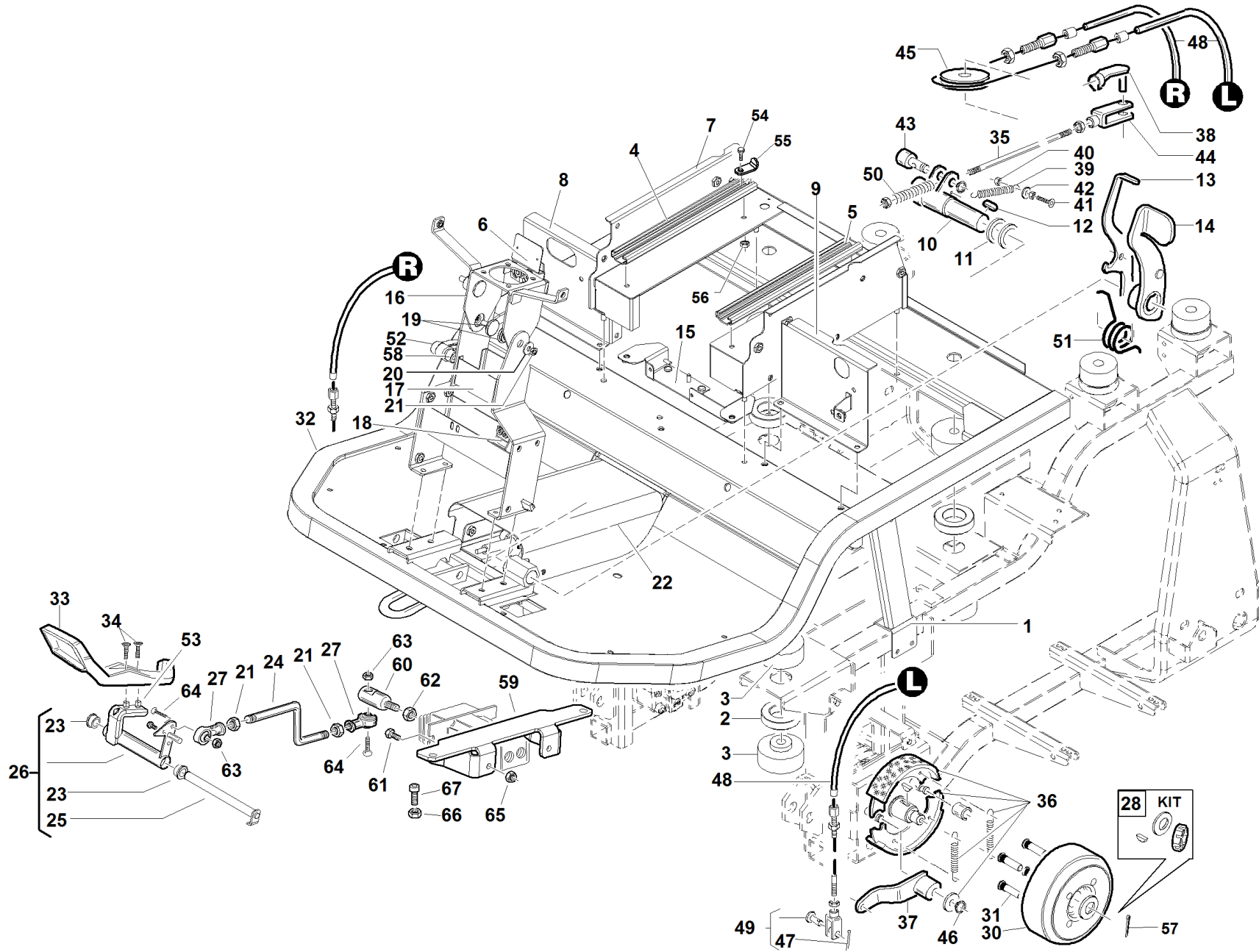
ALPHANUMERISCHE SERIENNUMMER DES GERÜSTES

999999XXXX

999999XXXX



GT



S/N
→1111005

REF.01 - 00555501249

1	91001540000	ACCELERATOR SUPPORT BRACKET		
2	91001000002	SPACER SP=16		
3	00111970189	VIBRATION-DAMPING STOPPER MDS80/3820-65		
4	00777850025			
5	00777850026			
6	91001300000	WARNING HORN BRACKET		
7	91001160000	SEAT SUPPORT		
8	91001191000			
9	91001180000	FRONT LEFT SUPPORT		
10	91001320000	PARKING BRAKE LEVER		
11	00111530007	BUSHING FRIMET TFF 25/28/16,5		
12	00111900004	TONGUE A 8X7X20 UNI 6604		
13	91001420001	PARKING FOOT-BRAKE LOCK PEDAL		
14	91001310000	PARKING FOOT-BRAKE PEDAL		
15	91001580000	FUSE AND RELAY SUPPORT BRACKET		
16	91001210000	POWER-STEERING SUPPORT		
17	91001200000	STEERING COLUMN		
18	91001490000	PARKING SWITCH SUPPORT		
19	91001000021	STEERING REGULATION PIN		
20	00111000061	WASHER 8.4X24X2		
21	00111000082	NUT M8		
22	91001000029	COVER		
23	95001000060	BRASS BUSHING		
24	91001000079			
25	91001350000	ADVANCEMENT PIN		
26	95598910000			
27	00777200007	ARTICULATION HEAD CF8 M8		
28	95598470000	NUT-WASHER-TONGUA KIT		
30	91001130001	BRAKE DRUM		
31	00111990118	LITTLE COLUMN M12X1.5X44		
32	91001940000			
33	95533000003	ACCELERATOR PEDAL		
34	00111000111	SCREW TSPEI M8X40		
35	91001000027	BRAKE ROD		
36	91001290000	BRAKE SHOES KIT 160X40		
37	91001280000	BRAKE LEVER		
38	00111000194	FORKED PIN D.8		
39	95029000022	TRACTION DISC SPRING		
40	00111500012			
41	00111350011	SCREW TSPEI M5X20		
42	00111500014			
43	91001000026	PIN		
44	00111000196	FORK IN M8		
45	91001000028	WIRE ROPE ROLLER		
46	00111650006	SNAP RING D.14 E		
47	00111000177	PIN 4X40		
48	91001000046	PARK BRAKE CABLE		
49	95598340000	PIN KIT Ø 12X30 + SPLIT 4X40		
50	91001000038	SPRING Øf=3.5 Øe=16 L=71		
51	91001000062	PEDAL TORSION SPRING		
52	00111970195	HANDLE M10		
53	94500000051	SPACER 10.25X16X10.5		
54	00111300061	SCREW TE M8X20		
55	91001000054	SEAT BLOCK		
56	00111000095	SELF BLO. NUT M8		
57	00111750007	SPLIT PIN		
58	91001000019	SPACER		
59	91001000082			
60	95303000013	THREADED PIN M10		

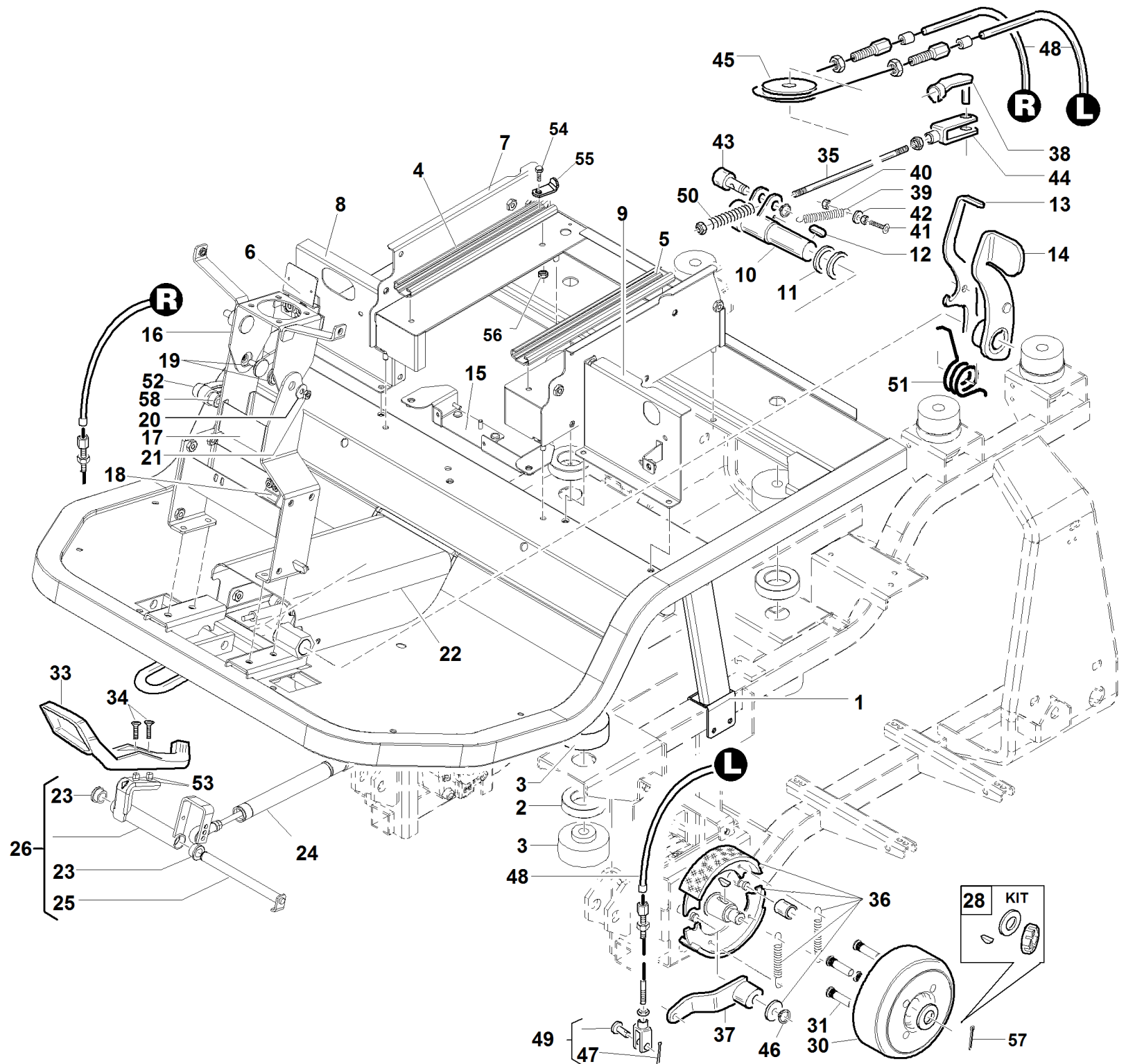
#

P/N

DESCRIPTION

GT

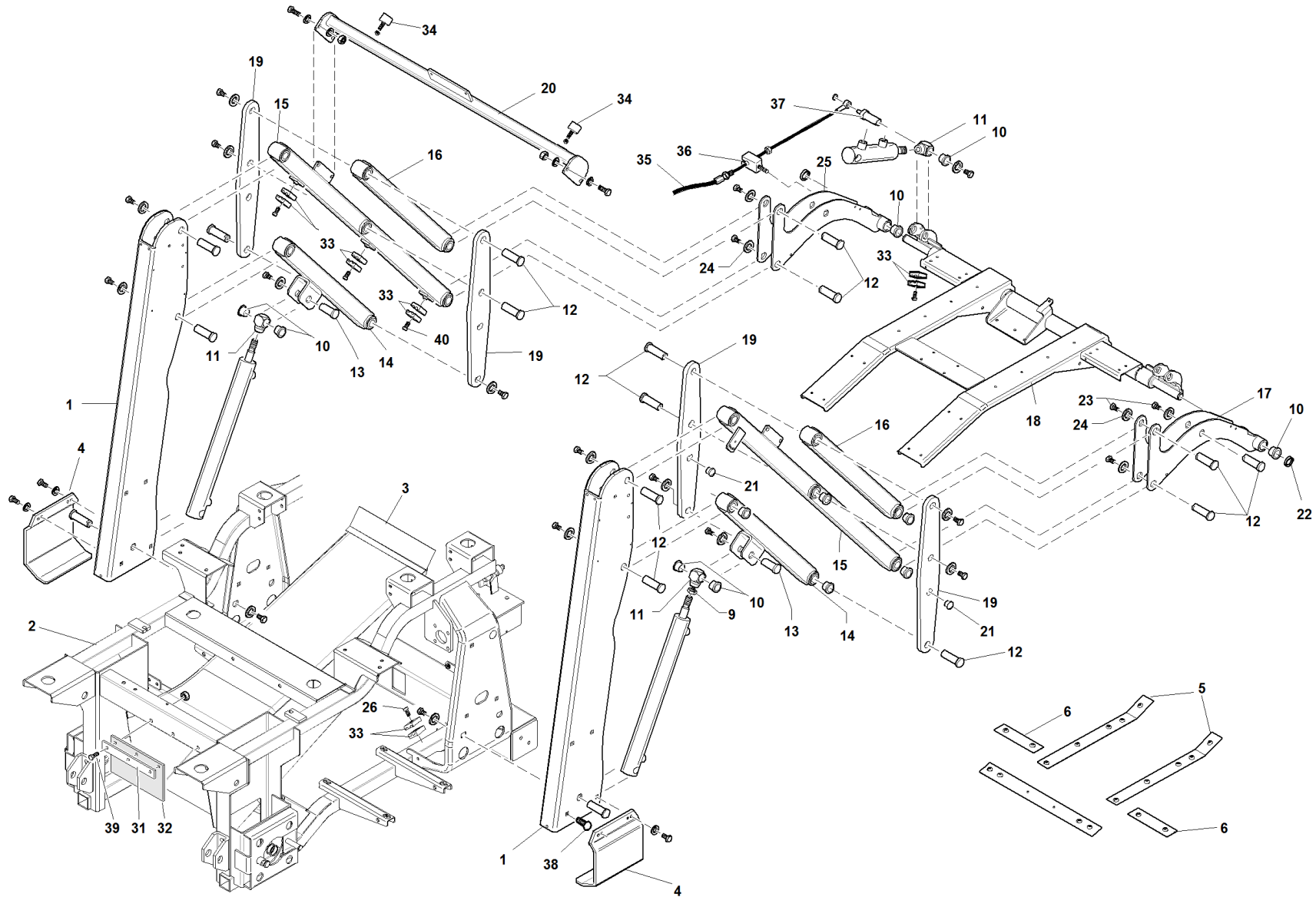
61	00111450005	SCREW/W M6X16
62	00111150002	NUT M10 6S ZNT
63	00111250018	"NUT ""CONEKLOK"" M8"
64	00111000145	SCREW TE M8 X 35
65	00111000035	SELF BLOC. NUT M6
66	00111000071	SELF BLO. NUT M8
67	00111450003	SCREW WASHER M8X20



S/N
 → 0803001 ÷ 1111004 ←

REF.01 - 0055501201

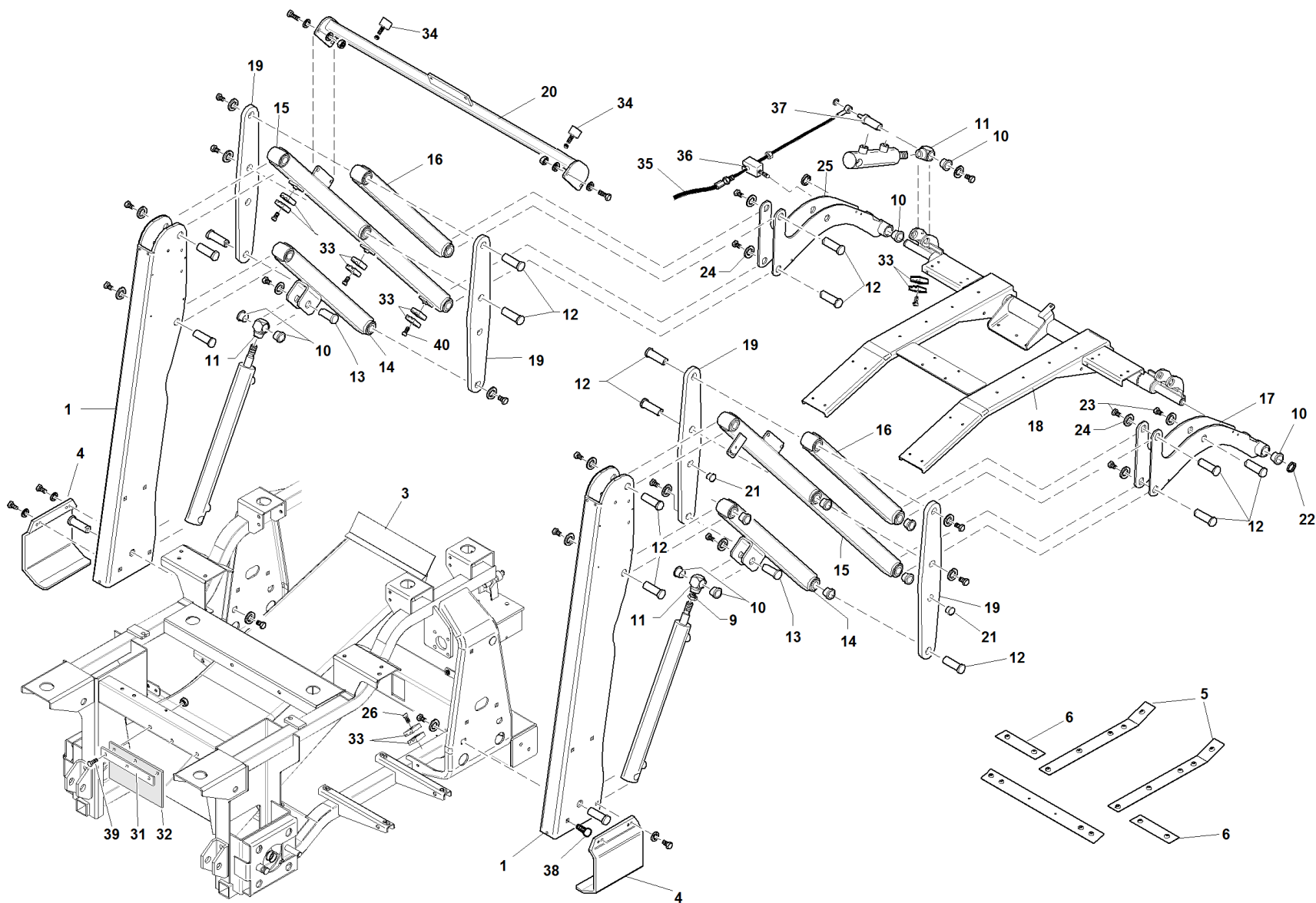
#	P/N	DESCRIPTION	GT
1	91001540000	ACCELERATOR SUPPORT BRACKET	
2	91001000002	SPACER SP=16	
3	00111970189	VIBRATION-DAMPING STOPPER MDS80/3820-65	
4	00777850025	LOWER GUIDE	
5	00777850026	LOWER LEFT GUIDE	
6	91001300000	WARNING HORN BRACKET	
7	91001160000	SEAT SUPPORT	
8	91001191000		
9	91001180000	FRONT LEFT SUPPORT	
10	91001320000	PARKING BRAKE LEVER	
11	00111530007	BUSHING FRIMET TFF 25/28/16,5	
12	00111900004	TONGUE A 8X7X20 UNI 6604	
13	91001420001	PARKING FOOT-BRAKE LOCK PEDAL	
14	91001310000	PARKING FOOT-BRAKE PEDAL	
15	91001580000	FUSE AND RELAY SUPPORT BRACKET	
16	91001210000	POWER-STEERING SUPPORT	
17	91001200000	STEERING COLUMN	
18	91001490000	PARKING SWITCH SUPPORT	
19	91001000021	STEERING REGULATION PIN	
20	00111000061	WASHER 8.4X24X2	
21	00111000082	NUT M8	
22	91001000029	COVER	
23	95001000060	BRASS BUSHING	
24	95311200000	DAMPER	
25	91001350000	ADVANCEMENT PIN	
26	91001480000	ACCELERATOR PEDAL SUPPORT	
28	95598470000	NUT-WASHER-TONGUA KIT	
30	91001130001	BRAKE DRUM	
31	00111990118	LITTLE COLUMN M12X1.5X44	
33	95533000003	ACCELERATOR PEDAL	
34	00111000111	SCREW TSPEI M8X40	
35	91001000027	BRAKE ROD	
36	91001290000	BRAKE SHOES KIT 160X40	
37	91001280000	BRAKE LEVER	
38	00111000194	FORKED PIN D.8	
39	95029000022	TRACTION DISC SPRING	
40	00111500012		
41	00111350011	SCREW TSPEI M5X20	
42	00111500014		
43	91001000026	PIN	
44	00111000196	FORK IN M8	
45	91001000028	WIRE ROPE ROLLER	
46	00111650006	SNAP RING D.14 E	
47	00111000177	PIN 4X40	
48	91001000046	PARK BRAKE CABLE	
49	95598340000	PIN KIT Ø 12X30 + SPLIT 4X40	
50	91001000038	SPRING Øf=3.5 Øe=16 L=71	
51	91001000062	PEDAL TORSION SPRING	
52	00111970195	HANDLE M10	
53	94500000051	SPACER 10.25X16X10.5	
54	00111300061	SCREW TE M8X20	
55	91001000054	SEAT BLOCK	
56	00111000095	SELF BLO. NUT M8	
57	00111750007	SPLIT PIN	
58	91001000019	SPACER	



S/N
→1111005

REF.02 - 00555501241

#	P/N	DESCRIPTION	GT
1	91001830000		
2	91001920000		
3	91001590000	GRASS DUCT	
4	91001000071	ELECTRIC VALVE PROTECTION	
5	91001850000	HOPPER SIDE PLATE	
6	91001610000	HOPPER REAR PLATE	
9	00111500005	WASHER 5.5X15X1.6	
10	00111990017	BUSHING WITH EDGE TFF 20/16,5	
11	91007000000		
12	94010000060	CYLINDER FIXING PIN	
13	91007000003	OVERTURNING PIN L=48	
14	91001780000		
15	91001770000		
16	91001800000		
17	91001820000		
18	91001840000	CATCHER SUPPORT	
19	91001000066	PAINTED EQUALIZER	
20	91001790000		
21	00111970172	RUBBER BLACK PLUG	
22	00111650013	SNAP RING D.20X1,5 E	
23	00111000081	SCREW TE M8X16	
24	00111000061	WASHER 8.4X24X2	
25	91001810000		
26	00111400015	ALLEN SCREW M6X40	
31	92001000057	FIXING PLATE	
32	92001000058	RUBBER STRAP	
33	11001000012	DOUBLE COLLAR 12X12 P.	
34	00111180001	VIBRATION-DAMPING STOPPER	
35	95598190000	OPENING HOPPER CABLE	
36	91001000039	PIN	
37	91007000006	PIN L=48	
38	00111340007		
39	00111450012	SCREW FR M 6X20	
40	00111990082	SCREW TE M6X35	

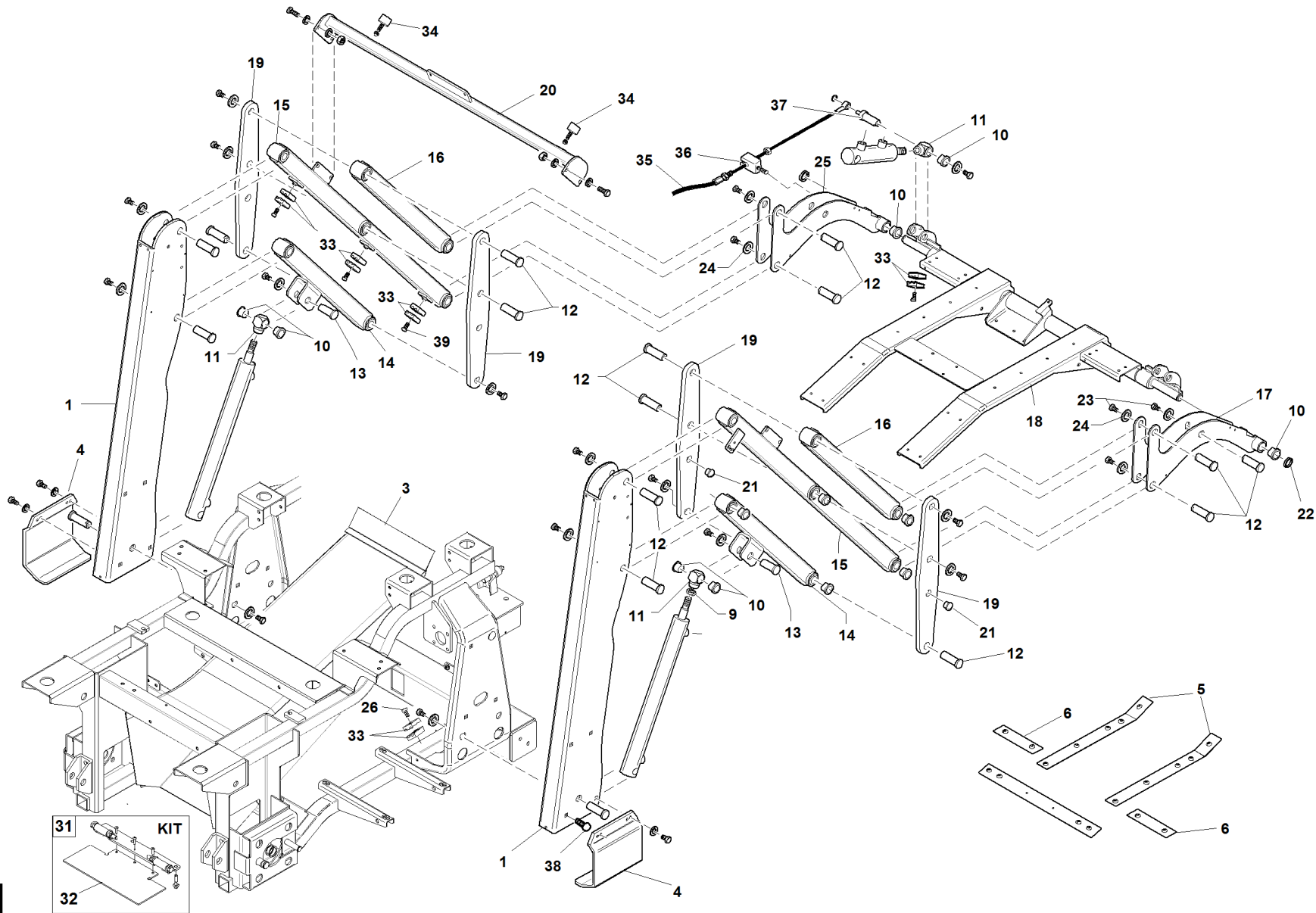


S/N

→ **1103008 ÷ 1111004** ←

REF.02 - 00555501239

#	P/N	DESCRIPTION	GT
1	91001830000		
3	91001590000	GRASS DUCT	
4	91001000071	ELECTRIC VALVE PROTECTION	
5	91001850000	HOPPER SIDE PLATE	
6	91001610000	HOPPER REAR PLATE	
9	00111500005	WASHER 5.5X15X1.6	
10	00111990017	BUSHING WITH EDGE TFF 20/16,5	
11	91007000000		
12	94010000060	CYLINDER FIXING PIN	
13	91007000003	OVERTURNING PIN L=48	
14	91001780000		
15	91001770000		
16	91001800000		
17	91001820000		
18	91001840000	CATCHER SUPPORT	
19	91001000066	PAINTED EQUALIZER	
20	91001790000		
21	00111970172	RUBBER BLACK PLUG	
22	00111650013	SNAP RING D.20X1,5 E	
23	00111000081	SCREW TE M8X16	
24	00111000061	WASHER 8.4X24X2	
25	91001810000		
26	00111400015	ALLEN SCREW M6X40	
31	92001000057	FIXING PLATE	
32	92001000058	RUBBER STRAP	
33	11001000012	DOUBLE COLLAR 12X12 P.	
34	00111180001	VIBRATION-DAMPING STOPPER	
35	95598190000	OPENING HOPPER CABLE	
36	91001000039	PIN	
37	91007000006	PIN L=48	
38	00111340007		
39	00111450012	SCREW FR M 6X20	
40	00111990082	SCREW TE M6X35	

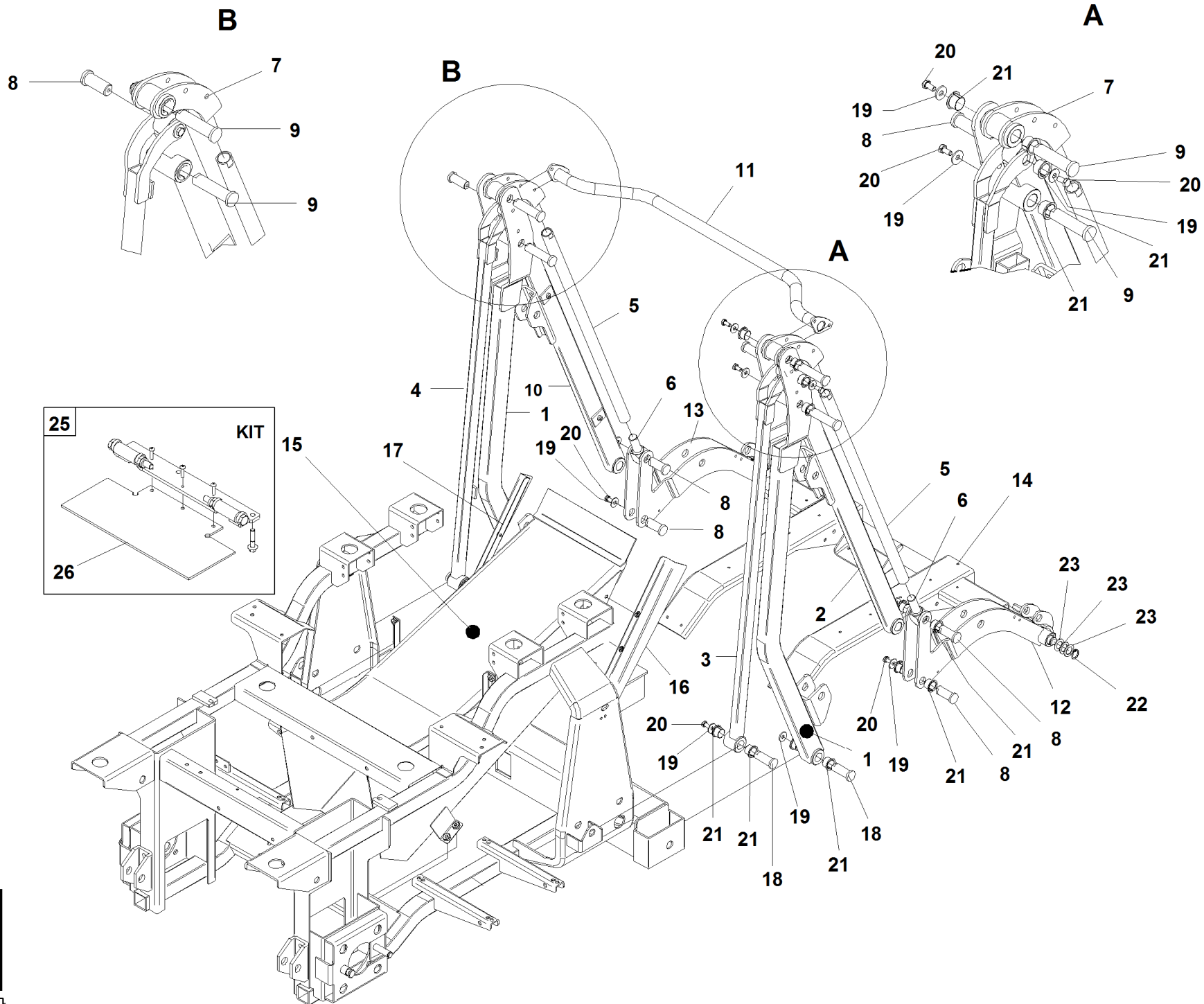


S/N
→ 1009001 ÷ 1103007 ←

REF.02 - 00555501226

#	P/N	DESCRIPTION	GT
1	91001830000		
3	91001590000	GRASS DUCT	
4	91001000071	ELECTRIC VALVE PROTECTION	
5	91001850000	HOPPER SIDE PLATE	
6	91001610000	HOPPER REAR PLATE	
9	00111500005	WASHER 5.5X15X1.6	
10	00111990017	BUSHING WITH EDGE TFF 20/16,5	
11	91007000000		
12	94010000060	CYLINDER FIXING PIN	
13	91007000003	OVERTURNING PIN L=48	
14	91001780000		
15	91001770000		
16	91001800000		
17	91001820000		
18	91001840000	CATCHER SUPPORT	
19	91001000066	PAINTED EQUALIZER	
20	91001790000		
21	00111970172	RUBBER BLACK PLUG	
22	00111650013	SNAP RING D.20X1,5 E	
23	00111000081	SCREW TE M8X16	
24	00111000061	WASHER 8.4X24X2	
25	91001810000		
26	00111400015	ALLEN SCREW M6X40	
31	95598150000	TUNNEL BRACKET KIT	
32	91001000059	STRAP	
33	11001000012	DOUBLE COLLAR 12X12 P.	
34	00111180001	VIBRATION-DAMPING STOPPER	
35	95598190000	OPENING HOPPER CABLE	
36	91001000039	PIN	
37	91007000006	PIN L=48	
38	00111340007		
39	00111990082	SCREW TE M6X35	

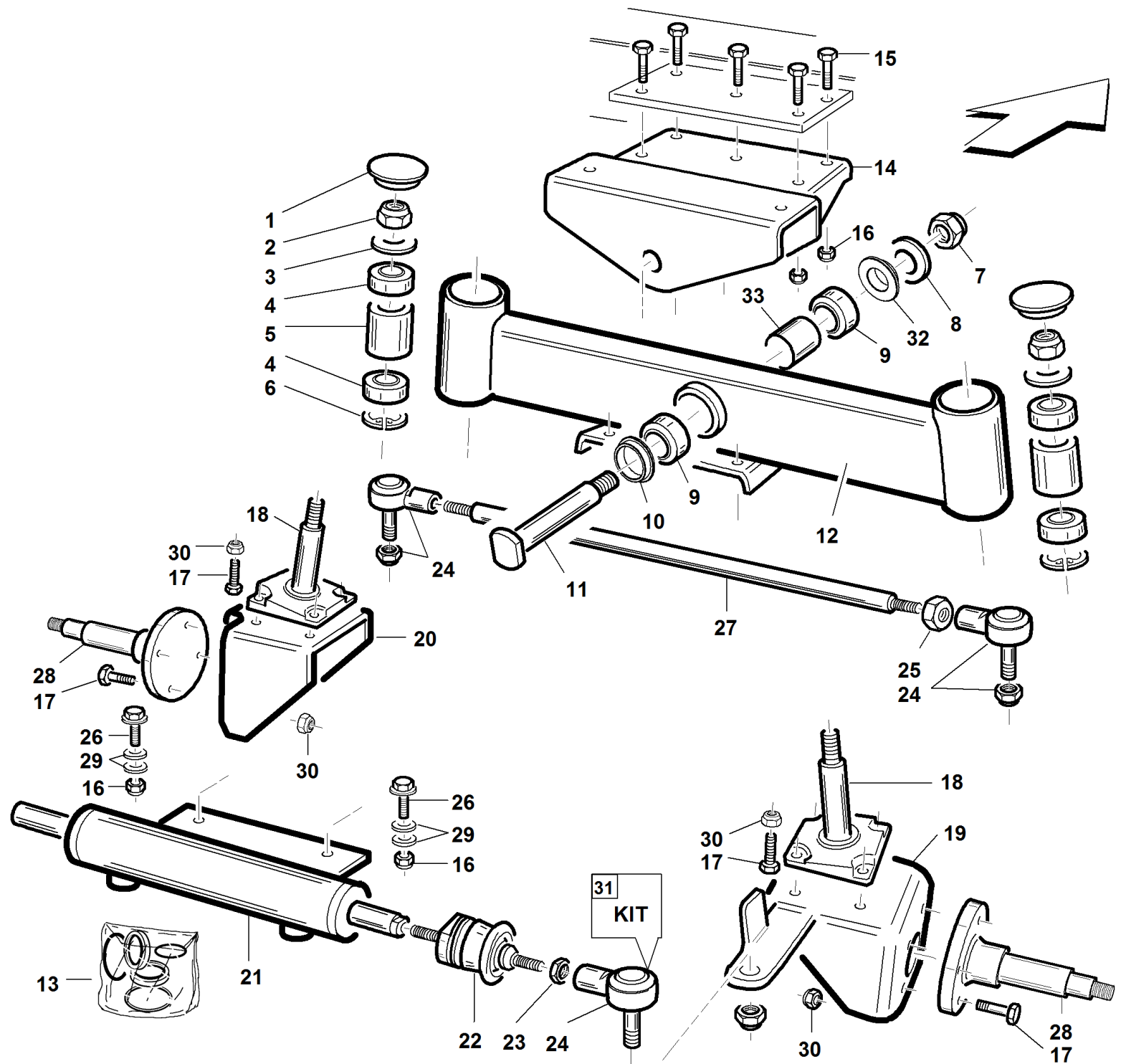
GT



S/N
→ 0803001 ÷ 1008001 ←

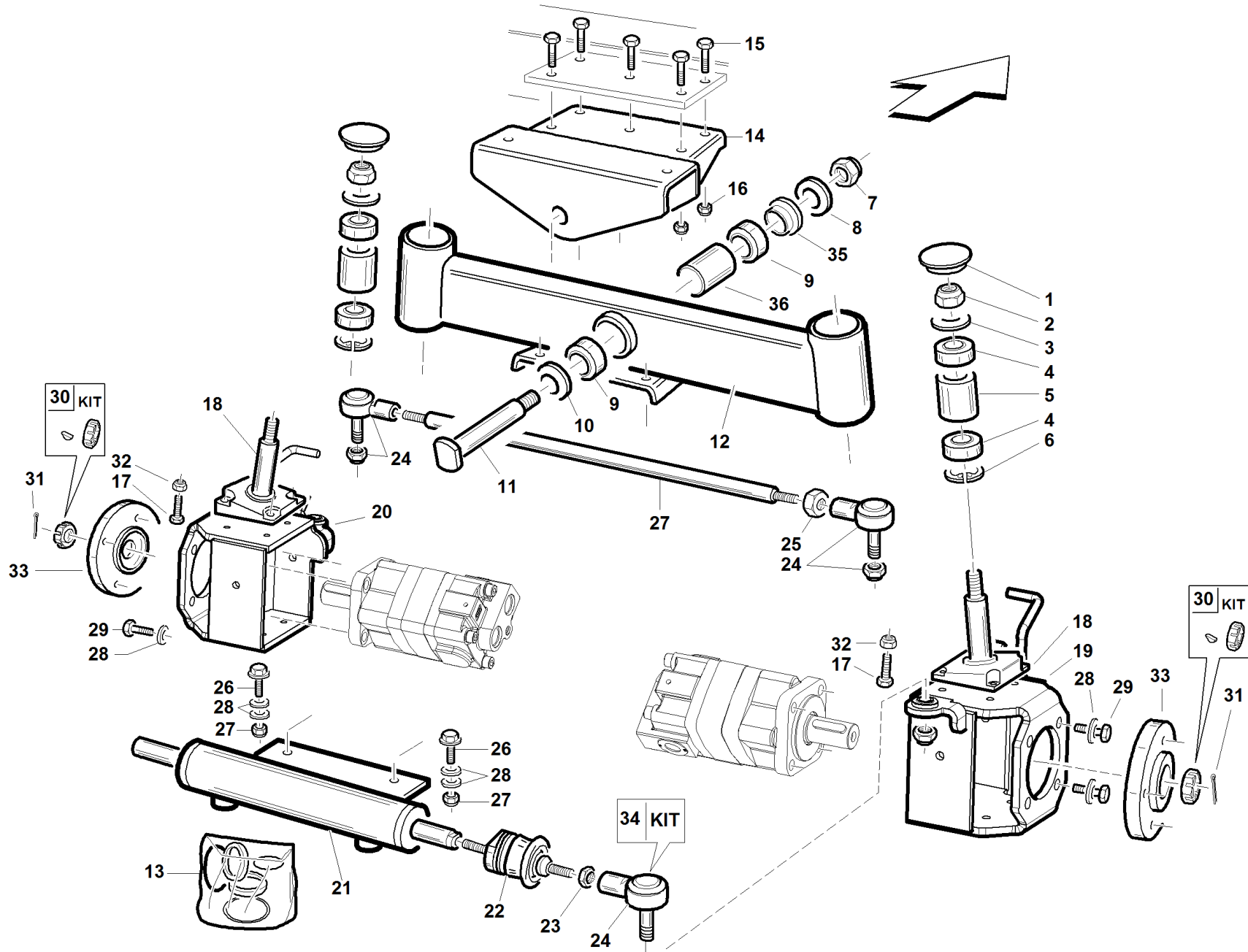
REF.02 - 00555501202

#	P/N	DESCRIPTION	GT
1	91007100000	LIFTING FRONT ARM	
2	91007110000	LIFTING REAR LEFTT ARM	
3	91007170000	FRONT LEFT TIE-ROD	
4	91007180000	FRONT RIGHT TIE-ROD	
5	95125000012	HIGH DUMP TIE ROD	
6	94017000003	BUSHING M20X1.5 LEFT	
7	91007130000	FORK	
8	91007000003	OVERTURNING PIN L=48	
9	91007000004	OVERTURNING PIN L=81	
10	91007120000	LIFTING REAR RIGHT ARM	
11	91007200000	LIFTING CROSS-BAR	
12	91007140000	LEFT HOPPER FRAME SUPPORT	
13	91007150000	RIGHT HOPPER FRAME SUPPORT	
14	91007190000	HOPPER SUPPORT	
15	91001590000	GRASS DUCT	
16	91001660000	LEFT ANGULAR	
17	91001650000	RIGHT ANGULAR	
18	91001000018	LIFTING PIN L=52	
19	00111000061	WASHER 8.4X24X2	
20	00111000081	SCREW TE M8X16	
21	00111990017	BUSHING WITH EDGE TFF 20/16,5	
22	00111650013	SNAP RING D.20X1,5 E	
23	00111500011	WASHER 20X30X2	
25	95598150000	TUNNEL BRACKET KIT	
26	91001000059	STRAP	



#	P/N	DESCRIPTION	GT 2WD
1	94500000087	INSIDE BEARING PROTECTION	
2	00111250011	SELF BL. NUT M14x1,5	
3	95303110004	SPACER D14.5XD35X3	
4	00777100012	BEARING 6006 2RS 30X55X13	
5	95303110005	SPACER D31 XD36 X45	
6	00111650003	SNAP RING D.55 I	
7	00111250007	SELF BL. NUT M20X1.5	
8	95303110003	SPACER D20.5X D35X3	
9	00777100053	BEARING 61906 30X47X9	
10	91003100002		
11	95303110002	AXLE PIN	
12	95301200000	REAR COMPLETE AXLE	
13	95599610000	OIL SEAL KIT	
14	91001500000	REAR AXLE ATTACHMENT	
15	00111450022		
16	00111250013	SELF BL.NUT M10	
17	00111300052	SCREW TE UNI 5739	
18	95303110007	STEERING PIN	
19	95311161100	RIGHT REAR WHEEL SHAFT SUPPORT	
20	95311161000	LEFT WHEEL SHAFT SUPPORT	
21	95301000013	STEERING HYDRAULIC JACK	
22	00777200024	AXLE ARTICULATION M14X1.5	
23	00111150024	NUT M12X1.25 - 6S	
24	00777200023	STEERING ARTICULATION M12X1.25	
25	00111500027	NUT M12X1.25	
26	00111300084	SCREW TE M10X35	
27	95303000011	TIE ROD STEERING	
28	95311160001	WHEEL SHAFT 2WD	
29	00111550005	WASHER M10	
30	00111250025	NUT METB 8MA	
31	95598240000	STEERING ARTICULATION GUARD KIT	
32	91003100002		
33	95303110006	SPACER Ø31XØ36X72	

GT 4WD

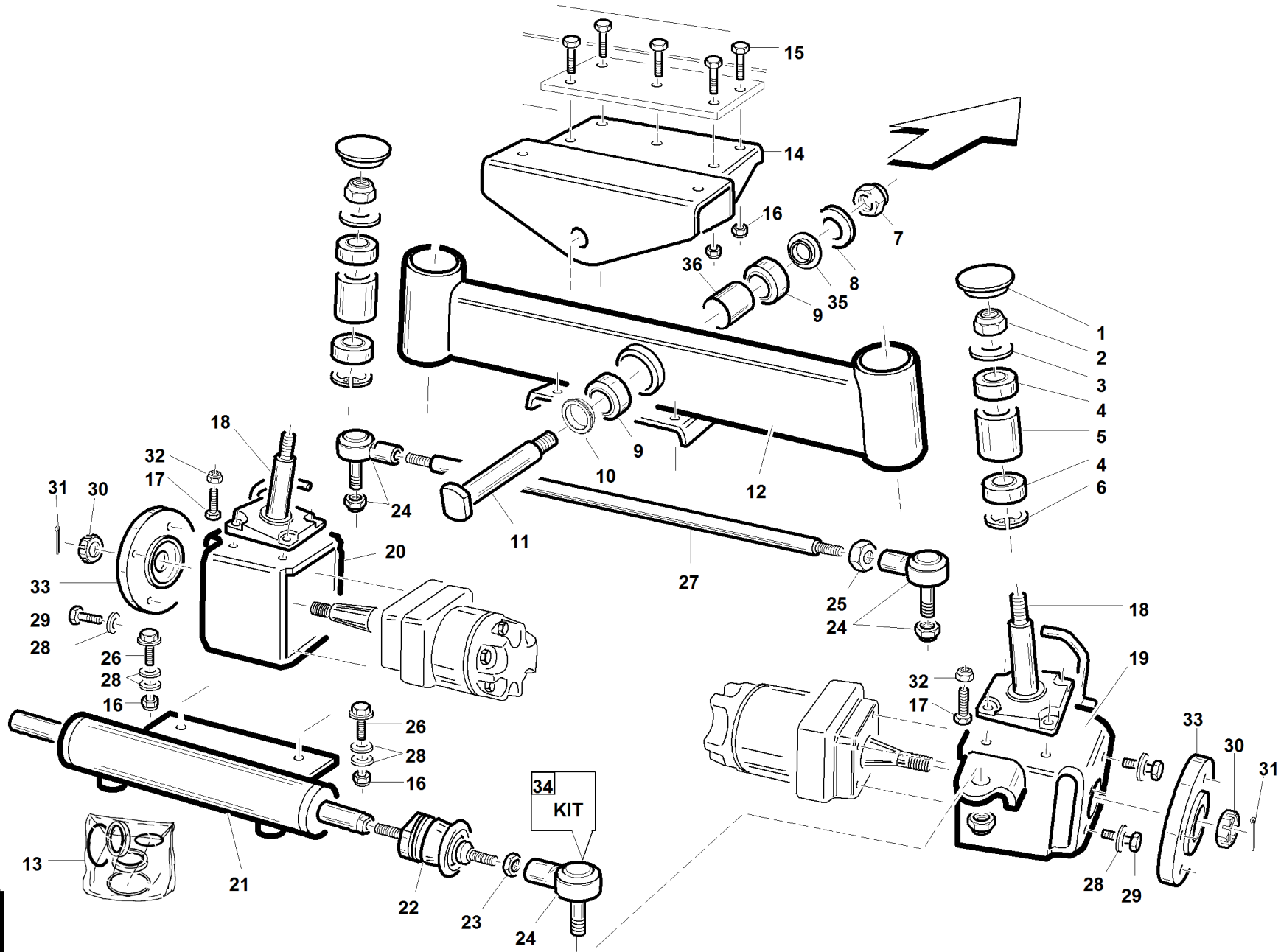


S/N
→1204002

REF.04 - 00555501240

#	P/N	DESCRIPTION	GT 4WD
1	94500000087	INSIDE BEARING PROTECTION	
2	00111250011	SELF BL. NUT M14x1,5	
3	95303110004	SPACER D14.5XD35X3	
4	00777100012	BEARING 6006 2RS 30X55X13	
5	95303110005	SPACER D31 XD36 X45	
6	00111650003	SNAP RING D.55 I	
7	00111250007	SELF BL. NUT M20X1.5	
8	95303110003	SPACER D20.5X D35X3	
9	00777100053	BEARING 61906 30X47X9	
10	91003100001		
11	95303110002	AXLE PIN	
12	95301200000	REAR COMPLETE AXLE	
13	95599610000	OIL SEAL KIT	
14	91001500000	REAR AXLE ATTACHMENT	
15	00111000103	SCREW TE M10X30	
16	00111250013	SELF BL.NUT M10	
17	00111300052	SCREW TE UNI 5739	
18	95303110007	STEERING PIN	
19	95409170000	RIGHT ORBITAL SUPPORT	
20	95409160000	LEFT ORBITAL SUPPORT	
21	95301000013	STEERING HYDRAULIC JACK	
22	00777200024	AXLE ARTICULATION M14X1.5	
23	00111150024	NUT M12X1.25 - 6S	
24	00777200023	STEERING ARTICULATION M12X1.25	
25	00111500027	NUT M12X1.25	
26	00111300084	SCREW TE M10X35	
27	95303000011	TIE ROD STEERING	
28	00111550005	WASHER M10	
29	00111300075	SCREW	
30	95598840000		
31	00111750007	SPLIT PIN	
32	00111250025	NUT METB 8MA	
33	95303000014	WHEEL SUPPORT	
34	95598240000	STEERING ARTICULATION GUARD KIT	
35	91003100002		
36	95303110006	SPACER Ø31XØ36X72	

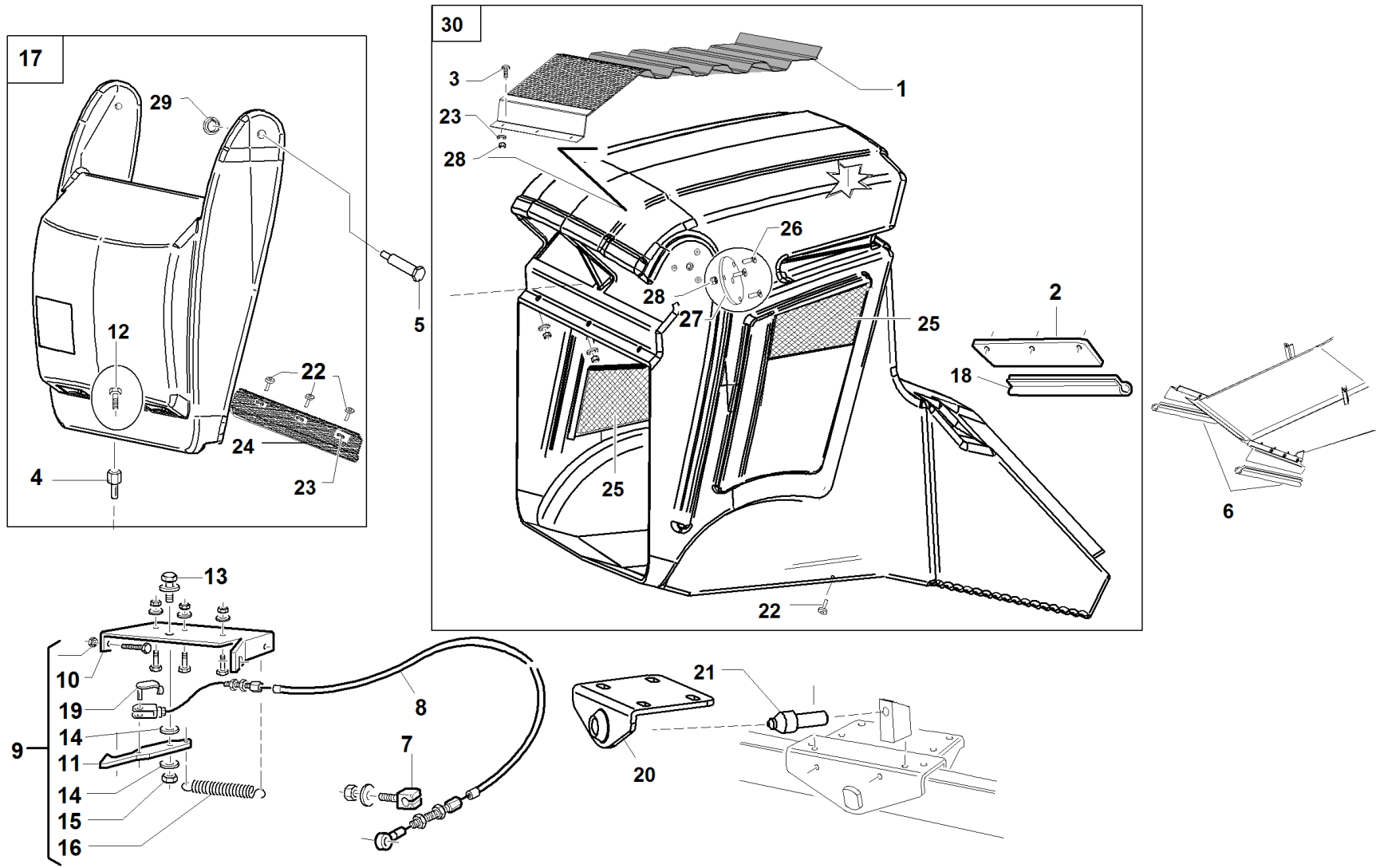
GT 4WD



S/N
 → 0803001 ÷ 1204001 ←

REF.04 - 00555501204

#	P/N	DESCRIPTION	GT 4WD
1	94500000087	INSIDE BEARING PROTECTION	
2	00111250011	SELF BL. NUT M14x1,5	
3	95303110004	SPACER D14.5XD35X3	
4	00777100012	BEARING 6006 2RS 30X55X13	
5	95303110005	SPACER D31 XD36 X45	
6	00111650003	SNAP RING D.55 I	
7	00111250007	SELF BL. NUT M20X1.5	
8	95303110003	SPACER D20.5X D35X3	
9	00777100053	BEARING 61906 30X47X9	
10	91003100001		
11	95303110002	AXLE PIN	
12	95301200000	REAR COMPLETE AXLE	
13	95599610000	OIL SEAL KIT	
14	91001500000	REAR AXLE ATTACHMENT	
15	00111000103	SCREW TE M10X30	
16	00111250013	SELF BL.NUT M10	
17	00111300052	SCREW TE UNI 5739	
18	95303110007	STEERING PIN	
19	95303180000	RIGHT REAR WHEEL-ROTOR SUPPORT	
20	95303190000	LEFT REAR WHEEL-ROTOR SUPPORT	
21	95301000013	STEERING HYDRAULIC JACK	
22	00777200024	AXLE ARTICULATION M14X1.5	
23	00111150024	NUT M12X1.25 - 6S	
24	00777200023	STEERING ARTICULATION M12X1.25	
25	00111500027	NUT M12X1.25	
26	00111300084	SCREW TE M10X35	
27	95303000011	TIE ROD STEERING	
28	00111550005	WASHER M10	
29	00111300075	SCREW	
30	95599000038	"3/4"" -28 CASTELLATED NUT"	
31	00111750007	SPLIT PIN	
32	00111250025	NUT METB 8MA	
33	95303000014	WHEEL SUPPORT	
34	95598240000	STEERING ARTICULATION GUARD KIT	
35	91003100002		
36	95303110006	SPACER Ø31XØ36X72	

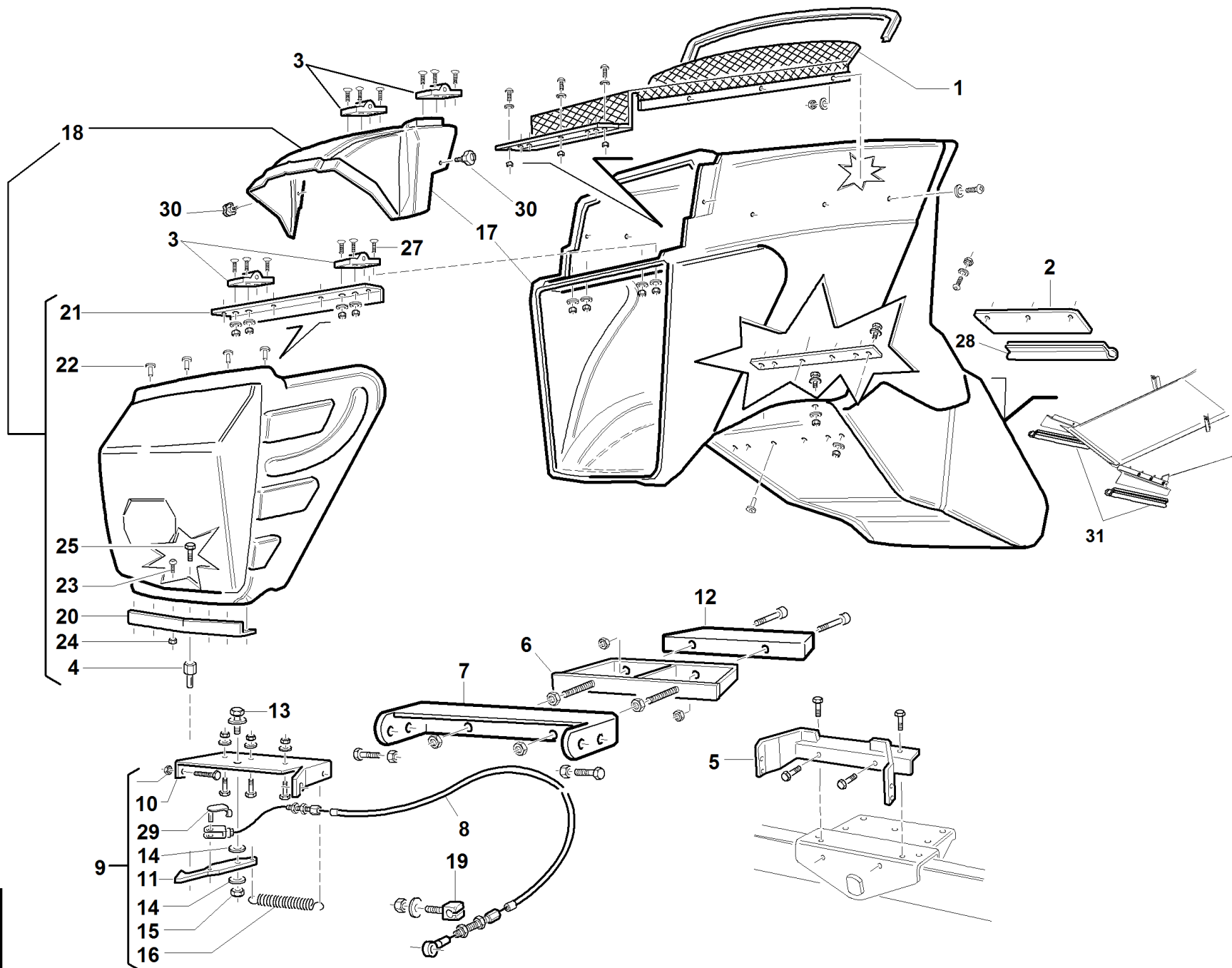


S/N
→1009001

REF.05 - 00555501228

#	P/N	DESCRIPTION	GT
1	91001860000		
2	91001000051	ANGULAR	
3	00111450012	SCREW FR M 6X20	
4	91001000073	HOPPER CLOSING PIN	
5	91001000074	HOPPER HINGE COVER PIN	
6	95049000021	WASHER 229/6 L=360	
7	91001000039	PIN	
8	91007000008	OPEN HOPPER CABLE GT	
9	91001600000	GT HOPPER HOOK	
10	91001670000	HOOK SUPPORT	
11	91001000044	HOPPER UNLOCKING LEVER	
12	00111300015	SCREW TE M8X55	
13	00111000033	SCREW TE M8X30	
14	00111000070	WASHER P. 11X30X2.5 ZNT	
15	00111000082	NUT M8	
16	94500000111	TG TECH ENCLOSING SPRING	
17	91001271000		
18	95599000068	GT HOPPER GASKET L=320MM	
19	00777180001	FORKED PIN D.8	
20	94500000072	CENTRING HOPPER PLATE	
21	94500000062	LOCKING HOPPER PIN	
22	00111800013	RIVET D.4,8X14	
23	00111000037	WASHER 6.6X18X2	
24	91001271001		
25	91001870000		
26	00111350023	SCREW TSPEI M6X20	
27	91001000072	HOPPER HINGE PLATE	
28	00111000166	SELF BL. SCREW M6	
29	00111530003	BUSHING TFF 14X16 L=9	
30	91001271100		

GT



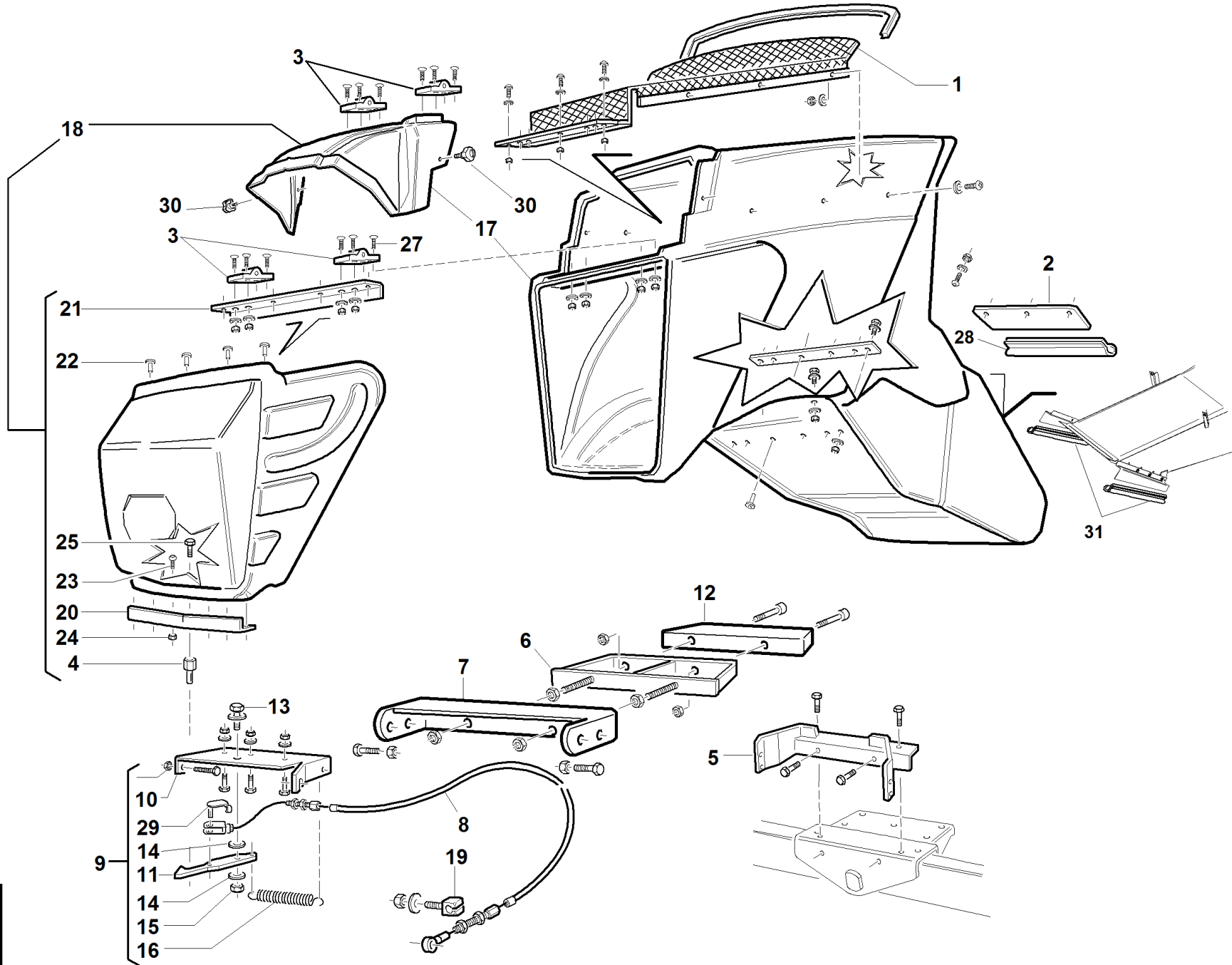
S/N

→ 0807017 ÷ 1008001 ←

REF.05 - 00555501205

#	P/N	DESCRIPTION	GT
1	91001690000	GT HOPPER GRID	
2	91001000051	ANGULAR	
3	00777580003	METAL HING 50x76	
4	91001000042	HOPPER DOOR PIN	
5	91001510000	HOPPER CENTERING DEVICE	
6	91001520000	HOPPER CENTERING MOBILE DEVICE	
7	91001000041	CENTERING SUPPORT BRACKET	
8	91007000008	OPEN HOPPER CABLE GT	
9	91001600000	GT HOPPER HOOK	
10	91001670000	HOOK SUPPORT	
11	91001000044	HOPPER UNLOCKING LEVER	
12	91001000050	HOPPER PLUG	
13	00111000033	SCREW TE M8X30	
14	00111000070	WASHER P. 11X30X2.5 ZNT	
15	00111000082	NUT M8	
16	94500000111	TG TECH ENCLOSING SPRING	
17	91001240000	ASSEMBLED GT HOPPER	
18	95598170000	COVER/WING KIT	
19	91001000039	PIN	
20	91001000043	COLLECTOR COVER PROTECTION	
21	91001000057	BOX REINFORCEMENT ANGULAR	
22	00111800004	RIVET D.4.8X16X20	
23	00111000014	SCREW TSPEI M6X16	
24	00111000035	SELF BLOC. NUT M6	
25	00111000186	SCREW TSPEI M8X20	
27	00111350023	SCREW TSPEI M6X20	
28	95599000068	GT HOPPER GASKET L=320MM	
29	00777180001	FORKED PIN D.8	
30	00111610002	KNOB M4X20	
31	95049000021	WASHER 229/6 L=360	

GT

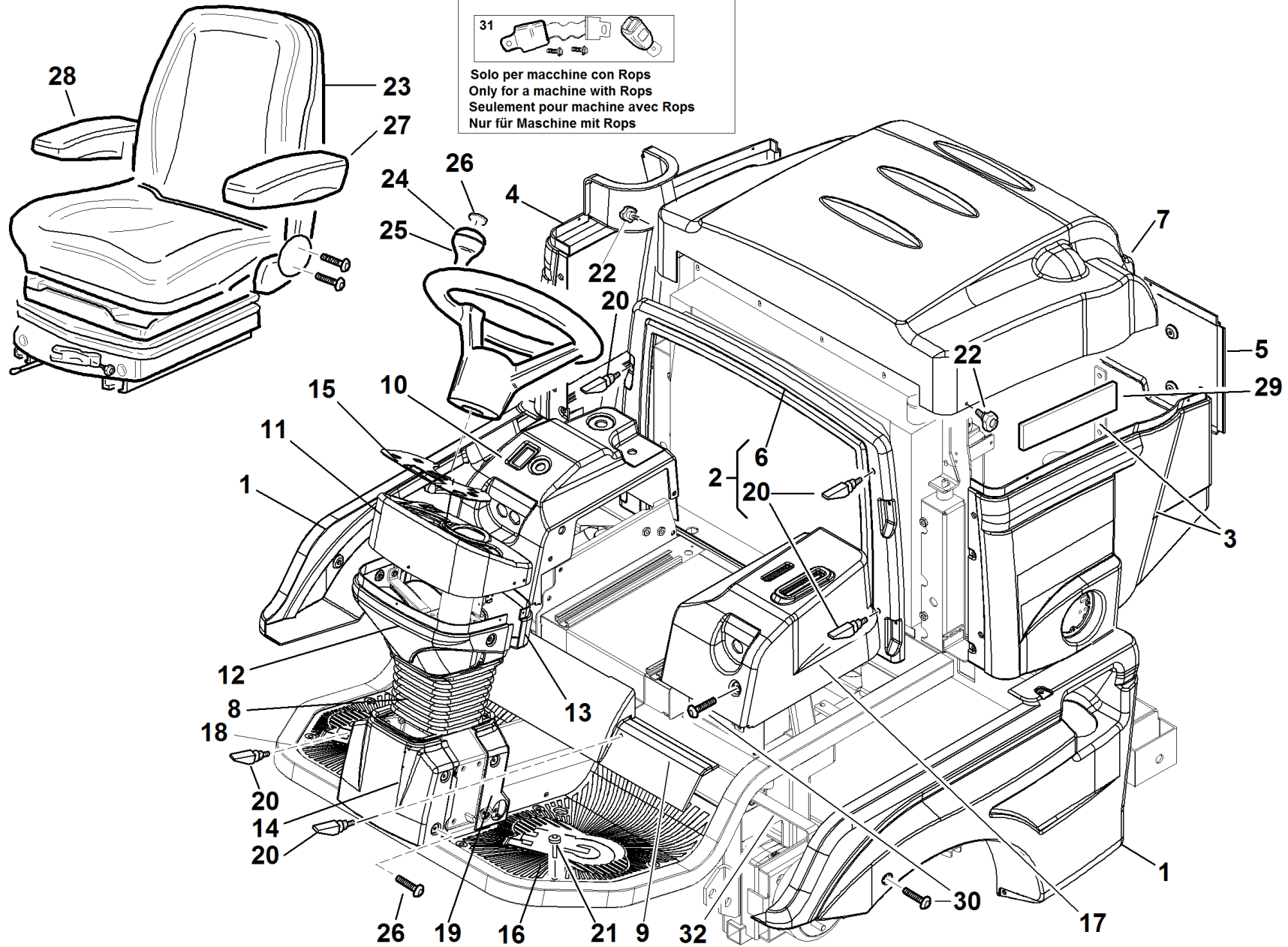


S/N
→ 0803001 ÷ 0807016 ←

REF.05 - 00555501236

#	P/N	DESCRIPTION	GT
1	91001690000	GT HOPPER GRID	
2	91001000051	ANGULAR	
3	00777580003	METAL HING 50x76	
4	91001000042	HOPPER DOOR PIN	
5	91001510000	HOPPER CENTERING DEVICE	
6	91001520000	HOPPER CENTERING MOBILE DEVICE	
7	91001000041	CENTERING SUPPORT BRACKET	
8	95598190000	OPENING HOPPER CABLE	
9	91001600000	GT HOPPER HOOK	
10	91001670000	HOOK SUPPORT	
11	91001000044	HOPPER UNLOCKING LEVER	
12	91001000050	HOPPER PLUG	
13	00111000033	SCREW TE M8X30	
14	00111000070	WASHER P. 11X30X2.5 ZNT	
15	00111000082	NUT M8	
16	94500000111	TG TECH ENCLOSING SPRING	
17	91001240000	ASSEMBLED GT HOPPER	
18	95598170000	COVER/WING KIT	
19	91001000039	PIN	
20	91001000043	COLLECTOR COVER PROTECTION	
21	91001000057	BOX REINFORCEMENT ANGULAR	
22	00111800004	RIVET D.4.8X16X20	
23	00111000014	SCREW TSPEI M6X16	
24	00111000035	SELF BLOC. NUT M6	
25	00111000186	SCREW TSPEI M8X20	
27	00111350023	SCREW TSPEI M6X20	
28	95599000068	GT HOPPER GASKET L=320MM	
29	00777180001	FORKED PIN D.8	
30	00111610002	KNOB M4X20	
31	95049000021	WASHER 229/6 L=360	

GT

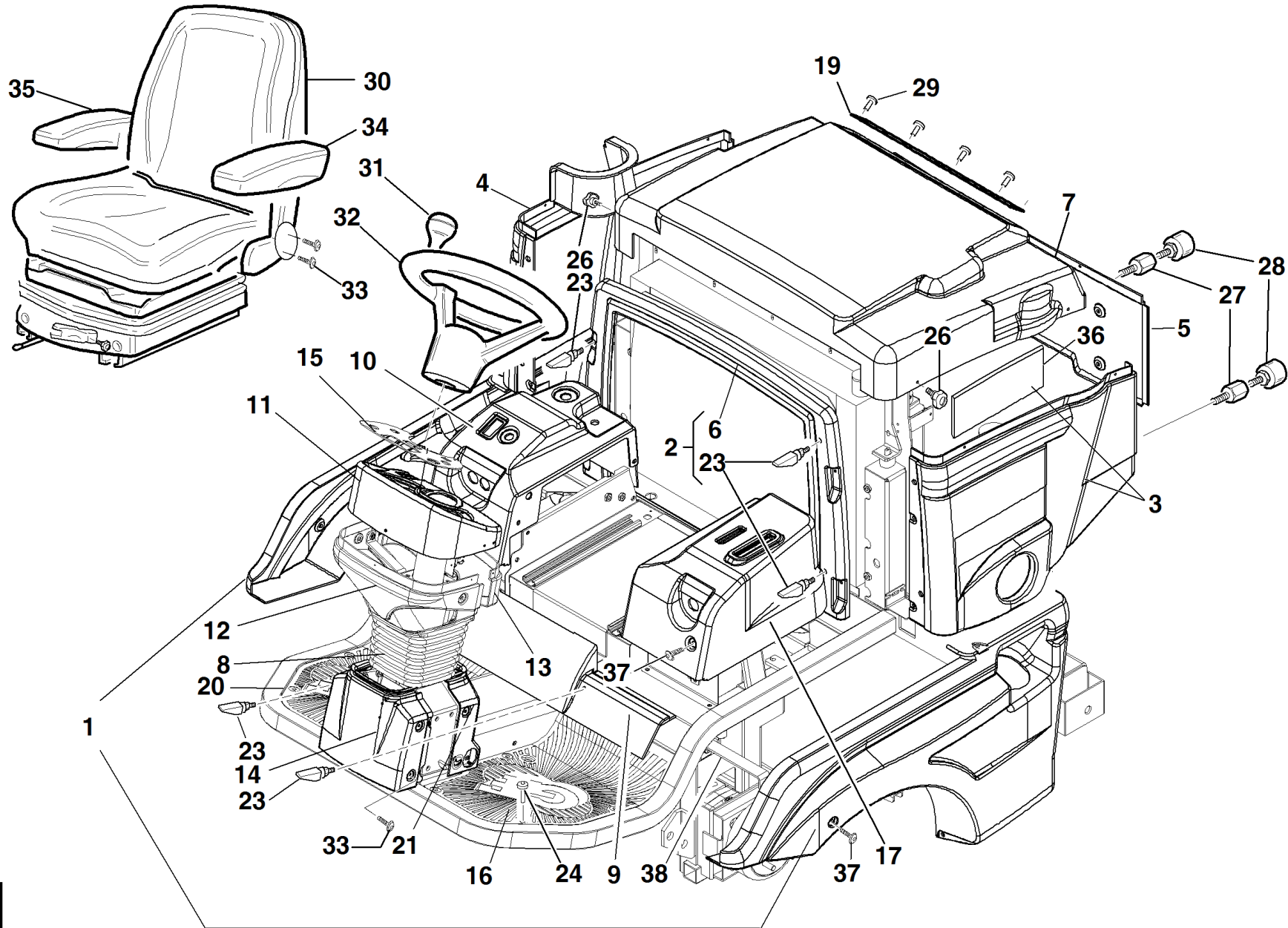


S/N
→1111005

REF.06 - 00555501242

#	P/N	DESCRIPTION	GT
1	95598180000	GT RIGHT /LEFT FENDER PLAIN KIT	
2	91001151000	FRONT FRAME	
3	91001154100		
4	91001150018		
5	91001150016		
6	91001150013		
7	91001150017		
8	00111970191	RUBBER BELLOWS	
9	91001153000	THERMIC COVER	
10	91001150002	BODY RIGHT	
11	91001150004	UPPER STEERING COLUMN BODY	
12	91001150005	UPPER FRONT STEERING COLUMN BODY	
13	91001150006	UPPER REAR STEERING COLUMN BODY	
14	91001150007	LOWERFRONT STEERING COLUMN BODY	
15	91001000077		
16	91001000023	LEFT FOOTBOARD	
17	91001150001	BODY LEFT	
18	91001000024	RIGHT FOOTBOARD	
19	91001150008	LOWER REAR STEERING COLUMN BODY	
20	00111970196	FASTENING DEVICE	
21	00111970169	CLOSER PLUG D. 10.5	
22	00111610002	KNOB M4X20	
23	00777850024	CONFORT SPRUNG SEAT	
24	00111970217	STEERING WHEEL KNOB	
25	00111970209	STEERING WHEEL W/BUSHING	
26	00111000178		
27	95599000065	LEFT GT COMFORT-SEAT ARM	
28	95599000066	RIGHT COMFORT-SEAT ARM GT	
29	95534000001	DEADENING PANNEL 250 x 165-	
30	00111450004	SCREW WASHER M8X12	
31	00777850019	BELT ROLLING UP	
32	91001460000	WHEEL HOUSING FRONT BRACKET	

GT

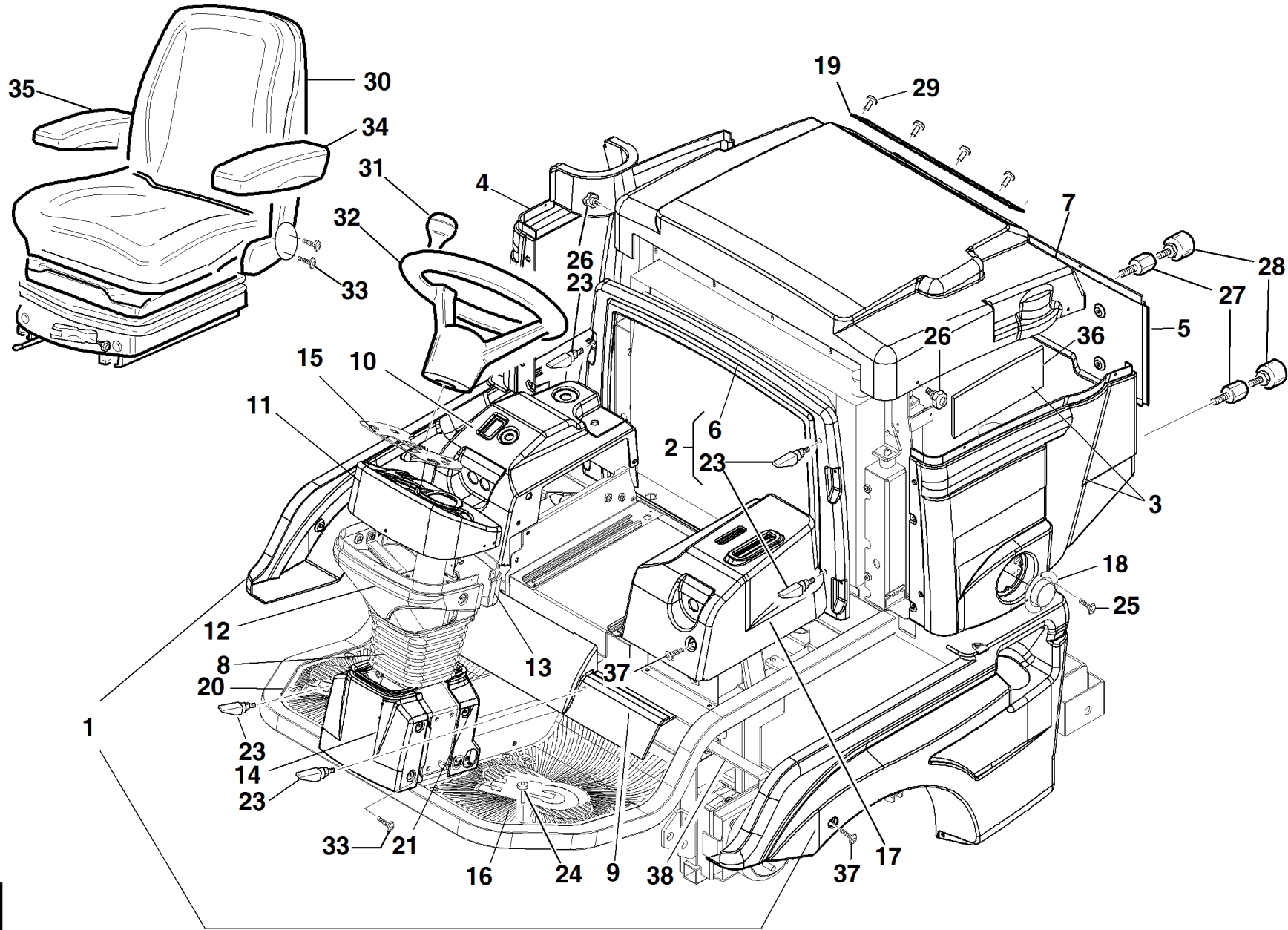


S/N
 → 1009001 ÷ 1111004 ←

REF.06 - 00555501227

#	P/N	DESCRIPTION	GT
1	95598180000	GT RIGHT /LEFT FENDER PLAINT KIT	
2	91001151000	FRONT FRAME	
3	91001154100		
4	91001150010	RIGHT ENGINE HOOD PANEL	
5	91001150011	REAR CLOSING HOOD	
6	91001150013		
7	91001152000	ENGINE HOOD	
8	00111970191	RUBBER BELLOWS	
9	91001153000	THERMIC COVER	
10	91001150002	BODY RIGHT	
11	91001150004	UPPER STEERING COLUMN BODY	
12	91001150005	UPPER FRONT STEERING COLUMN BODY	
13	91001150006	UPPER REAR STEERING COLUMN BODY	
14	91001150007	LOWERFRONT STEERING COLUMN BODY	
15	91006000002	GT DASHBOARD PLATE	
16	91001000023	LEFT FOOTBOARD	
17	91001150001	BODY LEFT	
19	91001150015		
20	91001000024	RIGHT FOOTBOARD	
21	91001150008	LOWER REAR STEERING COLUMN BODY	
23	00111970196	FASTENING DEVICE	
24	00111970169	CLOSER PLUG D. 10.5	
26	00111610002	KNOB M4X20	
27	91001000052	SPACER	
28	00111970179	VIBRATION-DAMPING STOPPER	
29	00111800007	RIVET D.3,9X12	
30	00777850024	CONFORT SPRUNG SEAT	
31	00111970217	STEERING WHEEL KNOB	
32	00111970209	STEERING WHEEL W/BUSHING	
33	00111000178		
34	95599000065	LEFT GT COMFORT-SEAT ARM	
35	95599000066	RIGHT COMFORT-SEAT ARM GT	
36	95534000001	DEADENING PANNEL 250 x 165-	
37	00111450004	SCREW WASHER M8X12	
38	91001460000	WHEEL HOUSING FRONT BRACKET	

GT



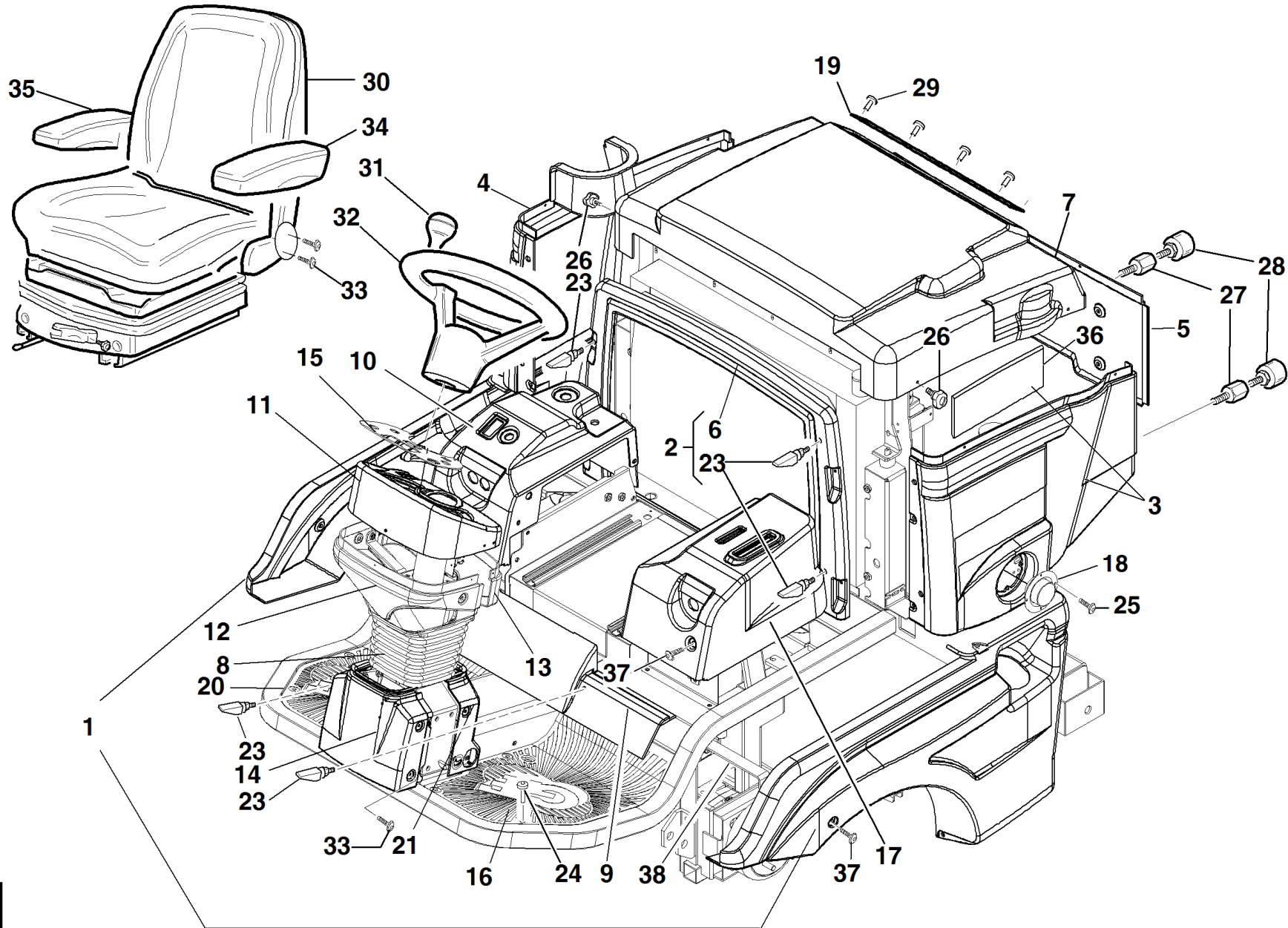
S/N

→ 0910005 ÷ 1008001 ←

REF.06 - 00555501221

#	P/N	DESCRIPTION	GT
1	95598180000	GT RIGHT /LEFT FENDER PLAINT KIT	
2	91001151000	FRONT FRAME	
3	91001154000	LEFT VALANCE PANEL	
4	91001150010	RIGHT ENGINE HOOD PANEL	
5	91001150011	REAR CLOSING HOOD	
6	91001150013		
7	91001152000	ENGINE HOOD	
8	00111970191	RUBBER BELLOWS	
9	91001153000	THERMIC COVER	
10	91001150002	BODY RIGHT	
11	91001150004	UPPER STEERING COLUMN BODY	
12	91001150005	UPPER FRONT STEERING COLUMN BODY	
13	91001150006	UPPER REAR STEERING COLUMN BODY	
14	91001150007	LOWERFRONT STEERING COLUMN BODY	
15	91006000002	GT DASHBOARD PLATE	
16	91001000023	LEFT FOOTBOARD	
17	91001150001	BODY LEFT	
18	91002250000	EXHAUST GRID	
19	91001150015		
20	91001000024	RIGHT FOOTBOARD	
21	91001150008	LOWER REAR STEERING COLUMN BODY	
23	00111970196	FASTENING DEVICE	
24	00111970169	CLOSER PLUG D. 10.5	
25	00111450011	SCREW FR M 4 X12	
26	00111610002	KNOB M4X20	
27	91001000052	SPACER	
28	00111970179	VIBRATION-DAMPING STOPPER	
29	00111800007	RIVET D.3,9X12	
30	00777850024	CONFORT SPRUNG SEAT	
31	00111970217	STEERING WHEEL KNOB	
32	00111970209	STEERING WHEEL W/BUSHING	
33	00111000178		
34	95599000065	LEFT GT COMFORT-SEAT ARM	
35	95599000066	RIGHT COMFORT-SEAT ARM GT	
36	95534000001	DEADENING PANNEL 250 x 165-	
37	00111450004	SCREW WASHER M8X12	
38	91001460000	WHEEL HOUSING FRONT BRACKET	

GT



S/N

→ **0803001 ÷ 0910004** ←

REF.06 - 00555501206

#	P/N	DESCRIPTION	GT
1	95598180000	GT RIGHT /LEFT FENDER PLAINT KIT	
2	91001151000	FRONT FRAME	
3	91001154000	LEFT VALANCE PANEL	
4	91001150010	RIGHT ENGINE HOOD PANEL	
5	91001150011	REAR CLOSING HOOD	
6	91001150013		
7	91001152000	ENGINE HOOD	
8	00111970191	RUBBER BELLOWS	
9	91001153000	THERMIC COVER	
10	91001150002	BODY RIGHT	
11	91001150004	UPPER STEERING COLUMN BODY	
12	91001150005	UPPER FRONT STEERING COLUMN BODY	
13	91001150006	UPPER REAR STEERING COLUMN BODY	
14	91001150007	LOWERFRONT STEERING COLUMN BODY	
15	91006000002	GT DASHBOARD PLATE	
16	91001000023	LEFT FOOTBOARD	
17	91001150001	BODY LEFT	
18	91002250000	EXHAUST GRID	
19	91001150015		
20	91001000024	RIGHT FOOTBOARD	
21	91001150008	LOWER REAR STEERING COLUMN BODY	
23	00111970196	FASTENING DEVICE	
24	00111970169	CLOSER PLUG D. 10.5	
25	00111450011	SCREW FR M 4 X12	
26	00111610002	KNOB M4X20	
27	91001000052	SPACER	
28	00111970179	VIBRATION-DAMPING STOPPER	
29	00111800007	RIVET D.3,9X12	
30	00777850024	CONFORT SPRUNG SEAT	
31	00111970145	STEERING WHEEL KNOB	
32	00111970182	STEERING WHEEL	
33	00111000178		
34	95599000065	LEFT GT COMFORT-SEAT ARM	
35	95599000066	RIGHT COMFORT-SEAT ARM GT	
36	95534000001	DEADENING PANNEL 250 x 165-	
37	00111450004	SCREW WASHER M8X12	
38	91001460000	WHEEL HOUSING FRONT BRACKET	



GT

REF.07

#

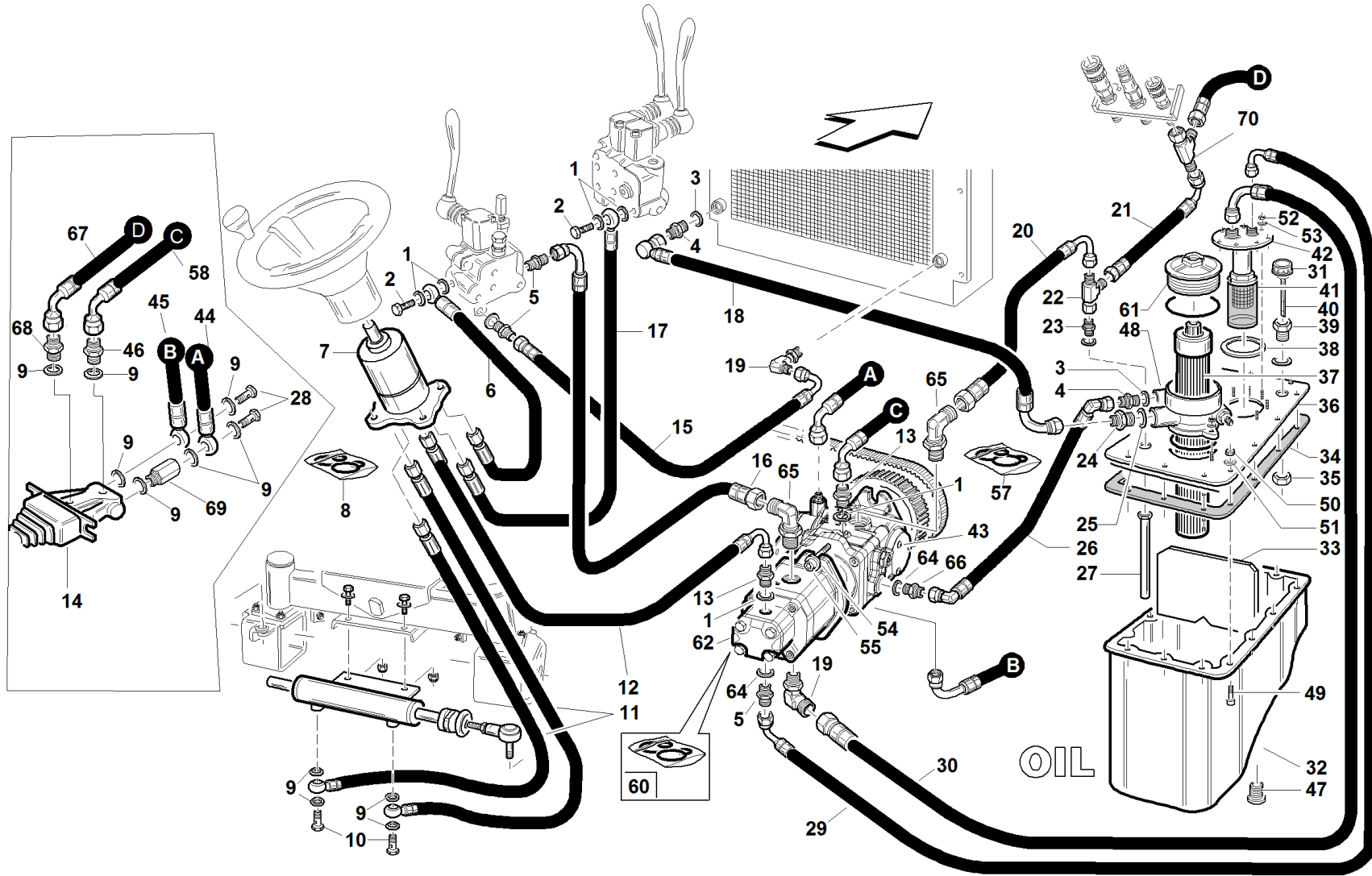
P/N

DESCRIPTION

GT

REF. 07

#	P/N	DESCRIPTION	GT	REF. 07



S/N
→1204002

REF.07 - 00555501251

#	P/N	DESCRIPTION	GT
1	00777600003	WASHER COPPER 3/8	
2	00777600041	EMPTY SCREW 3/8	
3	00777600131	WASHER 3/4	
4	00777600129	NIPPLE 3/4-3/4	
5	00777600156	NIPPLE 1/2 - 3/8	
6	91003110017	TUBE 1/4 OC3/8-F9/16-18ORFS L=1360	
7	95303000027	HYDRAULIC STEERING SERVOCONTROL	
8	95599620000	GASKET KIT	
9	00777600001	WASHER COPPER 1/4	
10	00777600040	SIMPLE CABLE BOLT	
11	91003110031	TUBE 1/4 1SC OC1/4-F9/16-18 ORFS L=3500	
12	91003110022	TUBE 1/4F90°3/8-F9/16-18ORFS L=2220	
13	00777600015	NIPPLE 3/8	
14	95303000019	HYDRAULIC PEDAL SERVOCONTROL	
15	91003110005	TUBE 3/4 1SN F90°3/4-F1/2 L=1050	
16	91001680004		
17	91003110032	TUBE 1/4 OC3/8-F9/16-18ORFS L=1450	
18	91003110004	TUBE 3/4 F90°3/4-F90°3/4COMP L=890 0°	
19	00777600134	ADAPTER 90° M/M 3/4 ADJUSTABLE	
20	91001680002		
21	91003110012	TUBE 1/4 1SN F1/2-F45°1/4 L=1160	
22	00777600169	ADAPTER 1/2 ROTATING	
23	00777600164	NIPLES 1/2	
24	00777600157	"NIPPLE 1""-3/4"	
25	00777600159	"COPPER WASHER 1""	
26	91001680001		
27	91002180011	FILTER HOSE	
28	00777600040	SIMPLE CABLE BOLT	
29	91001680003		
30	91001680011		
31	00777600176	"IN PRESSURING PLUG 0.25BAR 3/4"" LMAX=41"	
32	91002180001	TANK	
33	91002180007	OIL TANK BULKHEAD	
34	91002180010	TANK GASKET	
35	00111250027	SELF BLO. NUT M24 DIN 980V	
36	91002200000	OIL TANK COVER	
37	00777650069	RETURN FILTER CARTRIDGE 12 MICRON	
38	91002180008	GASKET	
39	91002180009	THREADED BUSH 3/4	
40	91001000017	VENT PLUG WITH LEVEL	
41	91001000014	250 MICRON PLUNGED FILTER	
42	91002190000	OIL-FILTER SUPPORT	
43	91001000084		
44	91001680008		
45	91001680009		
46	00777600043	NIPPLE 1/4 X 1/4	
47	00777600172	HEXAGONAL PLUG WITH OR 3/4 BSP	
48	91001000013	OIL FILTER 12 MICRO	
49	00111300011	SCREW TE M6X20	
50	00111000035	SELF BLOC. NUT M6	
51	00111500009	WASHER 6.4X12.5X1.6	
52	00111250028	NUT M4 UNI 5588	
53	00111500030	WASHER UNI 1751 4.3X7.3X0.9	
54	00111400010	SCREW M10X30 8.8 UNI 5931	
55	00111550005	WASHER M10	
56	00777230021	OR RING D=2.62 - Di=82.22	
57	95598930000		
58	91001680007		
60	95598540000		

#

P/N

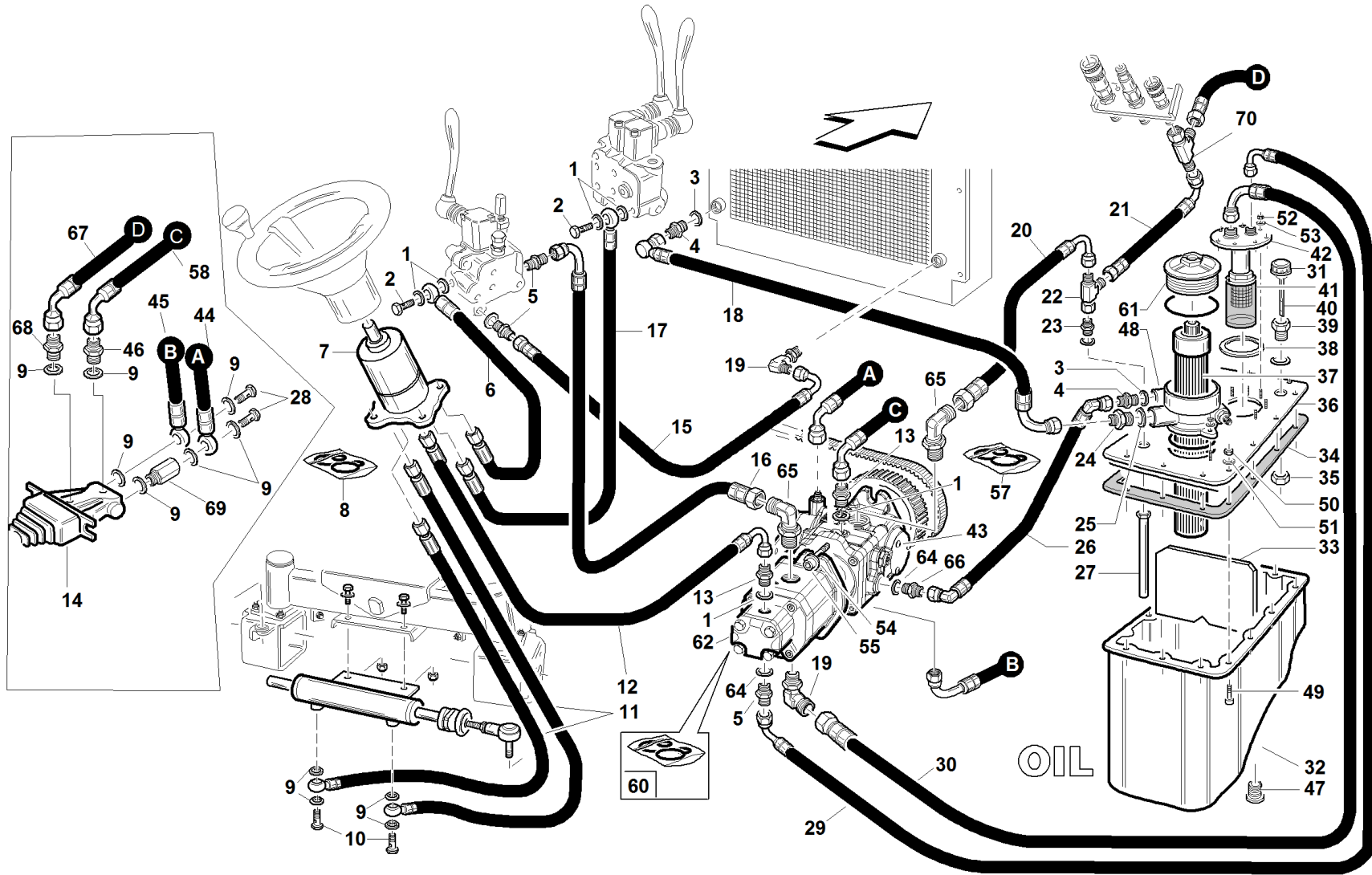
DESCRIPTION

GT

61 95599000086
62 91008000005
64 00777600117
65 00777600124
66 00777600130
67 91001680006
68 00777600197
69 00777600037
70 00777600198

"COPPER WASHER 1/2""
ADAPTER 90° M/M 1/2 ADJUSTABLE
NIPPLE 3/4-1/2

EXTENSION M/F 1/4 L=35



S/N

→ **1111005 ÷ 1204001** ←

REF.07 - 00555501250

#	P/N	DESCRIPTION	GT
1	00777600003	WASHER COPPER 3/8	
2	00777600041	EMPTY SCREW 3/8	
3	00777600131	WASHER 3/4	
4	00777600129	NIPPLE 3/4-3/4	
5	00777600156	NIPPLE 1/2 - 3/8	
6	91003110017	TUBE 1/4 OC3/8-F9/16-18ORFS L=1360	
7	95303000027	HYDRAULIC STEERING SERVOCONTROL	
8	95599620000	GASKET KIT	
9	00777600001	WASHER COPPER 1/4	
10	00777600040	SIMPLE CABLE BOLT	
11	91003110031	TUBE 1/4 1SC OC1/4-F9/16-18 ORFS L=3500	
12	91003110022	TUBE 1/4F90°3/8-F9/16-18ORFS L=2220	
13	00777600015	NIPPLE 3/8	
14	95303000019	HYDRAULIC PEDAL SERVOCONTROL	
15	91003110005	TUBE 3/4 1SN F90°3/4-F1/2 L=1050	
16	91001680004		
17	91003110032	TUBE 1/4 OC3/8-F9/16-18ORFS L=1450	
18	91003110004	TUBE 3/4 F90°3/4-F90°3/4COMP L=890 0°	
19	00777600134	ADAPTER 90° M/M 3/4 ADJUSTABLE	
20	91001680002		
21	91003110012	TUBE 1/4 1SN F1/2-F45°1/4 L=1160	
22	00777600169	ADAPTER 1/2 ROTATING	
23	00777600164	NIPLES 1/2	
24	00777600157	"NIPPLE 1""-3/4"	
25	00777600159	"COPPER WASHER 1""	
26	91001680001		
27	91002180011	FILTER HOSE	
28	00777600040	SIMPLE CABLE BOLT	
29	91001680003		
30	91001680011		
31	00777600176	"IN PRESSURING PLUG 0.25BAR 3/4"" LMAX=41"	
32	91002180001	TANK	
33	91002180007	OIL TANK BULKHEAD	
34	91002180010	TANK GASKET	
35	00111250027	SELF BLO. NUT M24 DIN 980V	
36	91002200000	OIL TANK COVER	
37	00777650069	RETURN FILTER CARTRIDGE 12 MICRON	
38	91002180008	GASKET	
39	91002180009	THREADED BUSH 3/4	
40	91001000017	VENT PLUG WITH LEVEL	
41	91001000014	250 MICRON PLUNGED FILTER	
42	91002190000	OIL-FILTER SUPPORT	
43	91001000078		
44	91001680008		
45	91001680009		
46	00777600043	NIPPLE 1/4 X 1/4	
47	00777600172	HEXAGONAL PLUG WITH OR 3/4 BSP	
48	91001000013	OIL FILTER 12 MICRO	
49	00111300011	SCREW TE M6X20	
50	00111000035	SELF BLOC. NUT M6	
51	00111500009	WASHER 6.4X12.5X1.6	
52	00111250028	NUT M4 UNI 5588	
53	00111500030	WASHER UNI 1751 4.3X7.3X0.9	
54	00111400010	SCREW M10X30 8.8 UNI 5931	
55	00111550005	WASHER M10	
56	00777230021	OR RING D=2.62 - Di=82.22	
57	95598920000		
58	91001680007		
60	95598540000		

#

P/N

DESCRIPTION

GT

61 95599000086
62 91008000005
64 00777600117
65 00777600124
66 00777600130
67 91001680006
68 00777600197
69 00777600037
70 00777600198

"COPPER WASHER 1/2""
ADAPTER 90° M/M 1/2 ADJUSTABLE
NIPPLE 3/4-1/2

EXTENSION M/F 1/4 L=35

#	P/N	DESCRIPTION	GT
1	00777600003	WASHER COPPER 3/8	
2	00777600041	EMPTY SCREW 3/8	
3	00777600131	WASHER 3/4	
4	00777600129	NIPPLE 3/4-3/4	
5	00777600156	NIPPLE 1/2 - 3/8	
6	91003110017	TUBE 1/4 OC3/8-F9/16-18ORFS L=1360	
7	95303000027	HYDRAULIC STEERING SERVOCONTROL	
8	95599620000	GASKET KIT	
9	00777600001	WASHER COPPER 1/4	
10	00777600040	SIMPLE CABLE BOLT	
11	91003110031	TUBE 1/4 1SC OC1/4-F9/16-18 ORFS L=3500	
12	91003110022	TUBE 1/4F90°3/8-F9/16-18ORFS L=2220	
13	00777600015	NIPPLE 3/8	
14	00777600125	NIPPLE 1/2 - 1/2	
15	91003110005	TUBE 3/4 1SN F90°3/4-F1/2 L=1050	
16	91003110008	TUBE 5/8 F90°1/2-F90°1/2 L=1250 150°	
17	91003110032	TUBE 1/4 OC3/8-F9/16-18ORFS L=1450	
18	91003110004	TUBE 3/4 F90°3/4-F90°3/4COMP L=890 0°	
19	00777600134	ADAPTER 90° M/M 3/4 ADJUSTABLE	
20	91003110003	TUBE 5/8 F90°1/2-F90°1/2 L=695 180°	
21	91003110012	TUBE 1/4 1SN F1/2-F45°1/4 L=1160	
22	00777600169	ADAPTER 1/2 ROTATING	
23	00777600164	NIPLES 1/2	
24	00777600157	"NIPPLE 1""-3/4"	
25	00777600159	"COPPER WASHER 1""	
26	91003110035	TUBE 3/41SN N°2 F90°3/4 L=440 130°	
27	91002180011	FILTER HOSE	
28	00777600140	LITTLE COLUMN 3/8	
29	91003110001	TUBE F90°1/2-F90°1/2 L=850 280°	
30	91003110002	"TUBE F90°3/4F90°1"" L=590 270°"	
31	00777600176	"IN PRESSURING PLUG 0.25BAR 3/4"" LMAX=41"	
32	91002180001	TANK	
33	91002180007	OIL TANK BULKHEAD	
34	91002180010	TANK GASKET	
35	00111250027	SELF BLO. NUT M24 DIN 980V	
36	91002200000	OIL TANK COVER	
37	00777650069	RETURN FILTER CARTRIDGE 12 MICRON	
38	91002180008	GASKET	
39	91002180009	THREADED BUSH 3/4	
40	91001000017	VENT PLUG WITH LEVEL	
41	91001000014	250 MICRON PLUNGED FILTER	
42	91002190000	OIL-FILTER SUPPORT	
43	91001000006	PUMP MD 10V 18	
44	91001000009	DOUBLE OIL PUMP 14.5-2.53cc	
45	91001140000	ACCELERATOR LEVER	
46	95597130000		
47	00777600172	HEXAGONAL PLUG WITH OR 3/4 BSP	
48	91001000013	OIL FILTER 12 MICRO	
49	00111300011	SCREW TE M6X20	
50	00111000035	SELF BLOC. NUT M6	
51	00111500009	WASHER 6.4X12.5X1.6	
52	00111250028	NUT M4 UNI 5588	
53	00111500030	WASHER UNI 1751 4.3X7.3X0.9	
54	00111400010	SCREW M10X30 8.8 UNI 5931	
55	00111550005	WASHER M10	
56	00777230021	OR RING D=2.62 - Di=82.22	
57	95598400000	PUMP MD10V 14/18 SEAL KIT	
58	00777200026	ROUND JOINT M6	
60	95598540000		

#**P/N****DESCRIPTION****GT****REF. 07 - 00555501207**

61

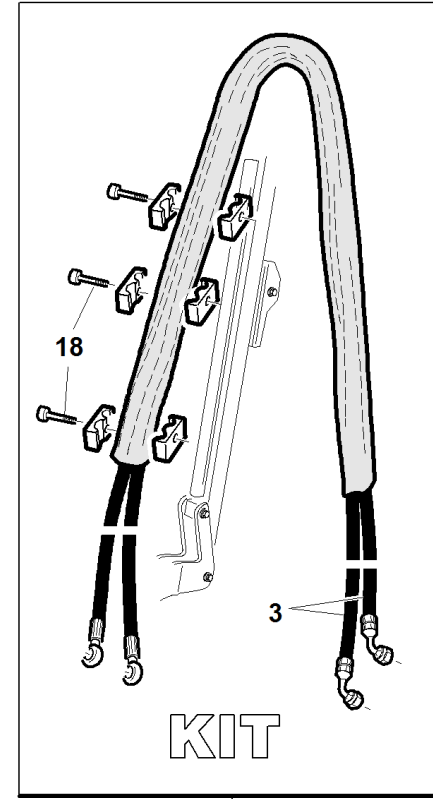
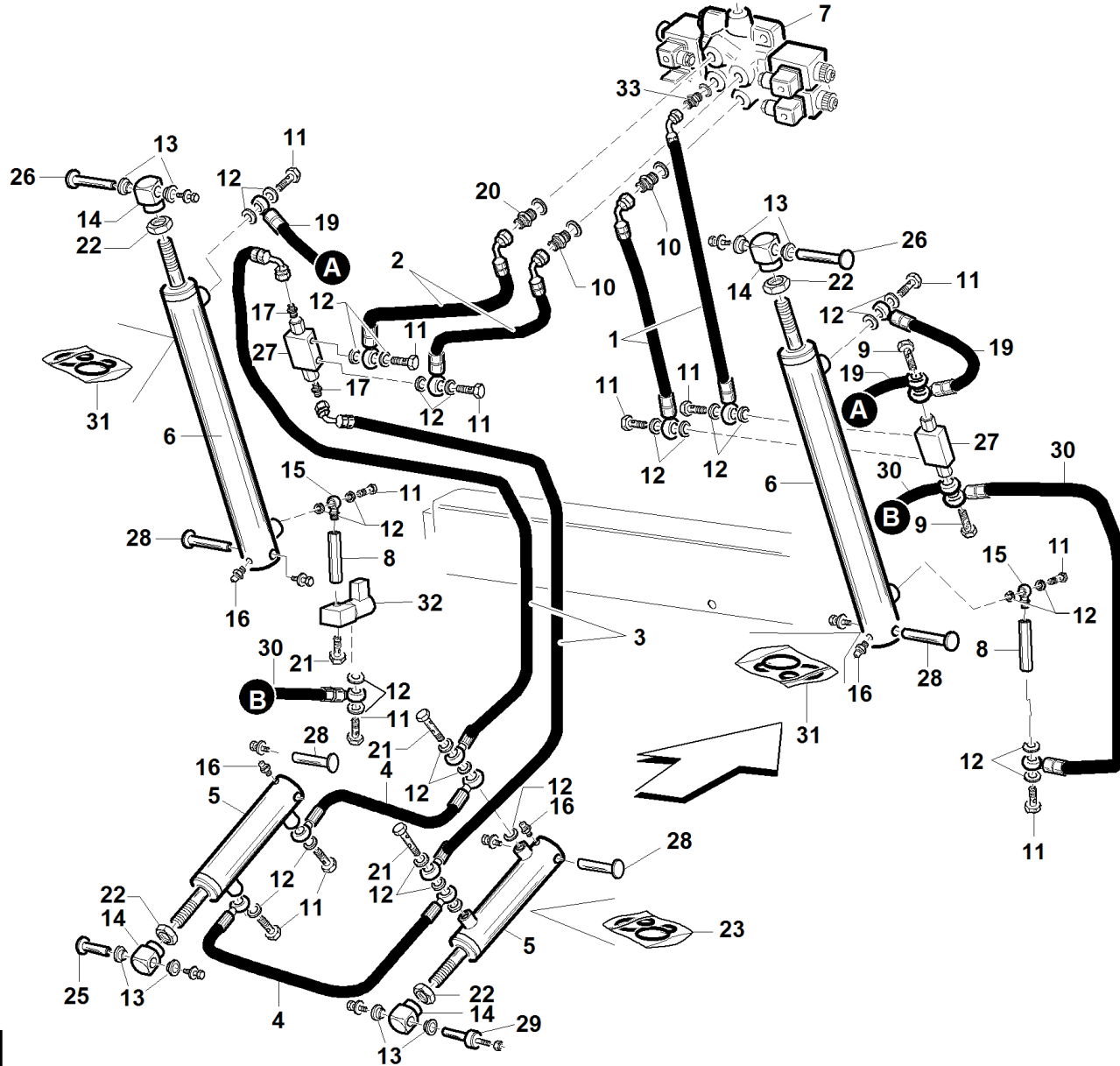
95599000086

62

91008000005

63

91008000004



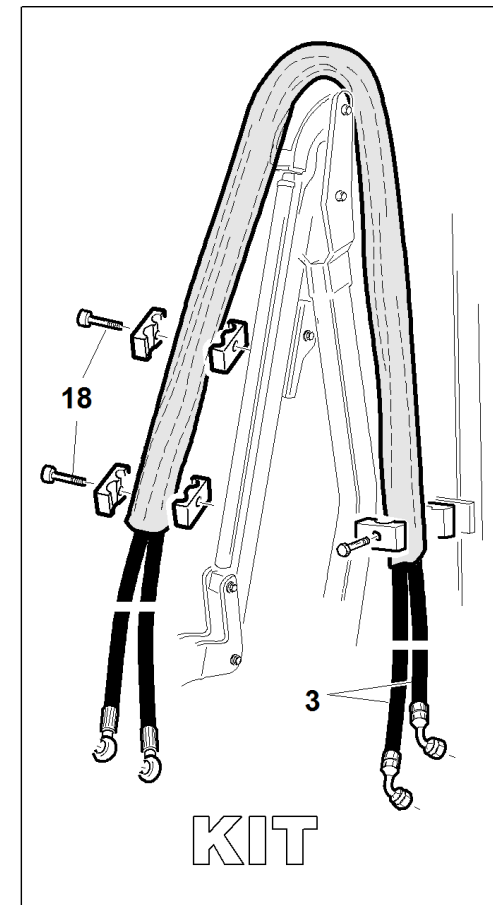
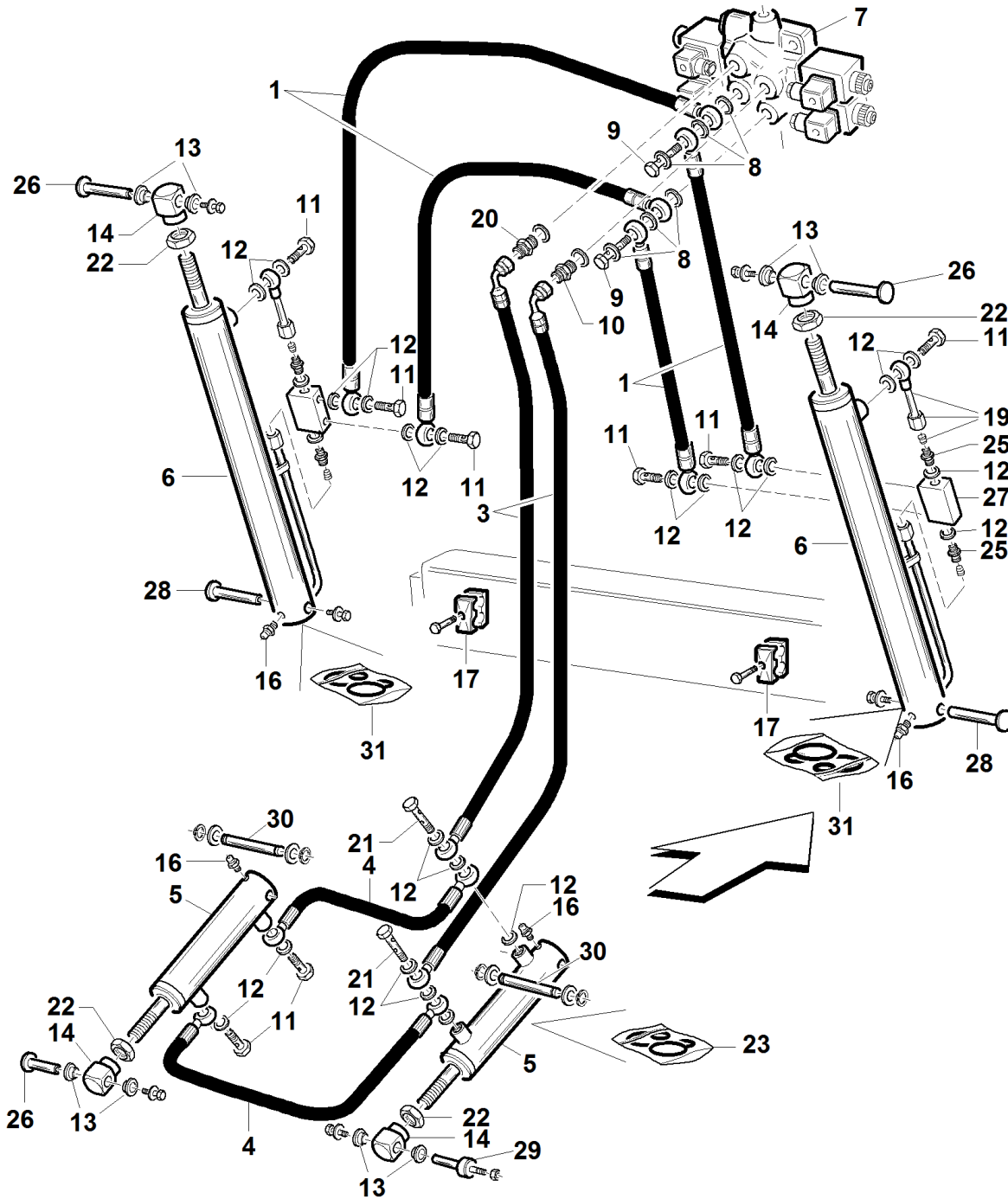
24

S/N
→ **1009001**

REF. 08 - 00555501229

#	P/N	DESCRIPTION	GT
1	91003110038		
2	91003110039		
3	91003110020		
4	91003110030	TUBE 1/4 1SC OC1/4-OC1/4 L=1630 0°	
5	95125220000	CYLINDER	
6	91001741000		
7	91001000012	DISTRIBUTOR	
8	00777600194		
9	00777600133	DOUBLE CABLE BOLT	
10	00777600167	NIPPLE 3/8 - 3/8	
11	00777600040	SIMPLE CABLE BOLT	
12	00777600001	WASHER COPPER 1/4	
13	00111990017	BUSHING WITH EDGE TFF 20/16,5	
14	91007000002	THREADED BUSH M16X1.5	
15	00777600108	"THREATED EYES 1/4 X 1/4	
16	00111000036	GREASER M6	
17	00777600063	NIPPLE 3/8 1/4	
18	00111990082	SCREW TE M6X35	
19	91003110036		
20	00777600015	NIPPLE 3/8	
21	00777600039	DOUBLE CABLE BOLT	
22	00111150005	NUT M16X1.5	
23	95599270000	CYLINDER GASKET KIT	
24	91001710000	SHEATH	
25	91001000067		
26	91007000003	OVERTURNING PIN L=48	
27	92007000016	BLOCK VALVE	
28	94010000060	CYLINDER FIXING PIN	
29	91001000068		
30	91003110037		
31	95598420000	GT LIFTING CYLINDER GASKET KIT	
32	92007000001	HIGH DUMP ELECTRIC VALVE	
33	00777600190		

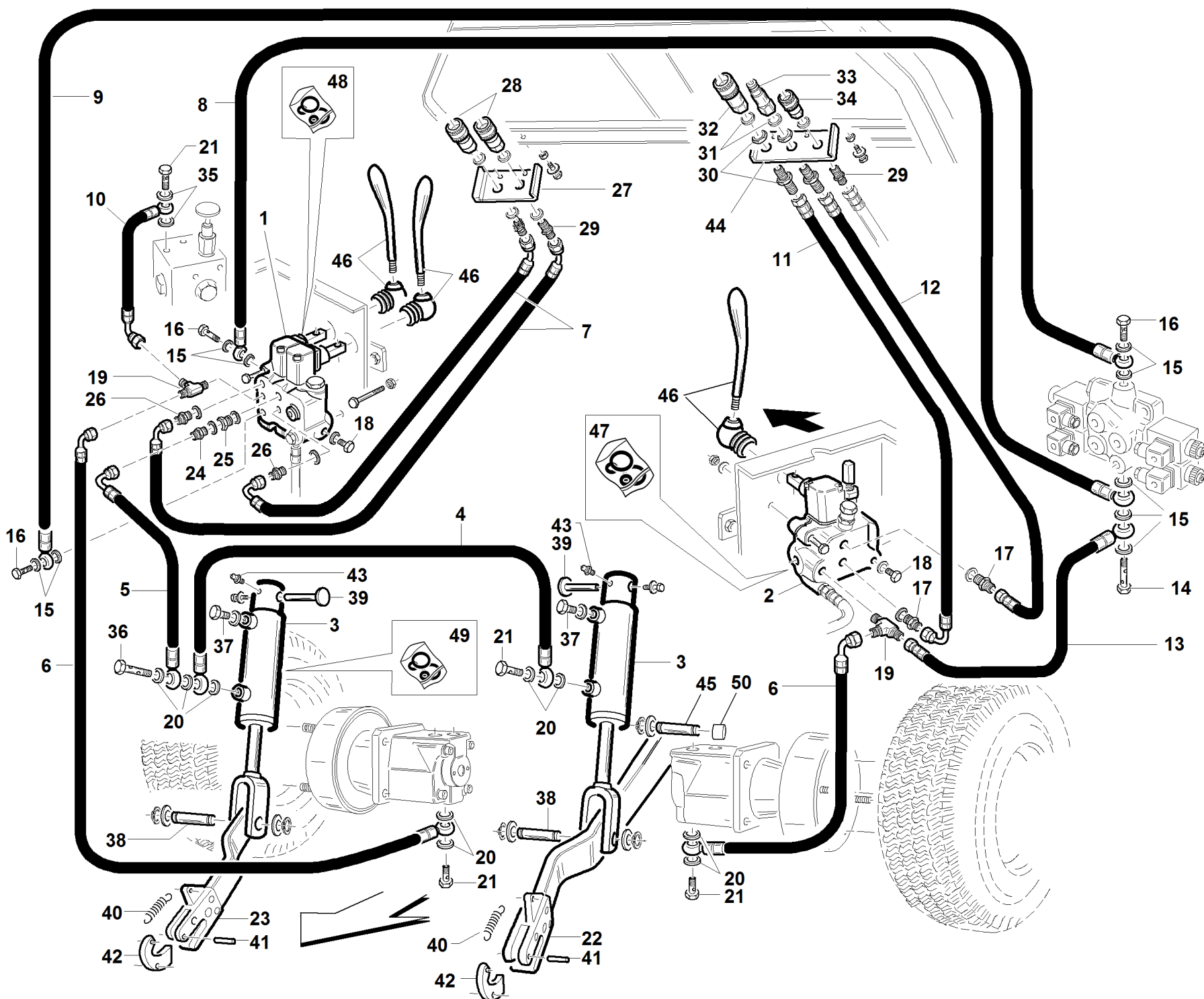
GT



S/N
 → 0803001 ÷ 1008001 ←

REF.08 - 00555501208

#	P/N	DESCRIPTION	GT
1	91003110019	TUBE 1/4 1SC OC3/8-OC1/4 L=3070 90°	
3	91003110020		
4	91003110030	TUBE 1/4 1SC OC1/4-OC1/4 L=1630 0°	
5	95125220000	CYLINDER	
6	91007000001	HYDRAULIC CYLINDER	
7	91001000012	DISTRIBUTOR	
8	00777600003	WASHER COPPER 3/8	
9	00777600133	DOUBLE CABLE BOLT	
10	00777600167	NIPPLE 3/8 - 3/8	
11	00777600040	SIMPLE CABLE BOLT	
12	00777600001	WASHER COPPER 1/4	
13	00111990017	BUSHING WITH EDGE TFF 20/16,5	
14	91007000002	THREADED BUSH M16X1.5	
16	00111000036	GREASER M6	
17	00111990123	PLASTIC COLLAR Ø20	
18	00111990082	SCREW TE M6X35	
19	00777601900	BLOCK VALVE TUBE	
20	00777600015	NIPPLE 3/8	
21	00777600039	DOUBLE CABLE BOLT	
22	00111150005	NUT M16X1.5	
23	95599270000	CYLINDER GASKET KIT	
24	91001710000	SHEATH	
25	00777600110	REDUCTION 1/4	
26	91007000003	OVERTURNING PIN L=48	
27	00777601700	SIMPLE BLOCK VALVE	
28	94010000060	CYLINDER FIXING PIN	
29	91007000006	PIN L=48	
30	91007000005	CYLINDER PIN L=68	
31	95598420000	GT LIFTING CYLINDER GASKET KIT	



#	P/N	DESCRIPTION	GT
1	91001000011	DISTRIBUTOR	
2	91001000010	PTO CONTROL DISTRIBUTOR	
3	91001730000	FRONT LIFTING CYLINDER GT	
4	91003110015	TUBE 1/4 1SC OC1/4-OC1/4 L=840 0°	
5	91003110014	TUBE 1/4 1SC F90°1/4-OC1/4 L=510 45°	
6	91003110011	TUBE 1/4 1SN OC1/4-F90°3/8 L=910 0°	
7	91003110013	TUBE 1/4 1SC F90°1/4-F45°1/4 L=580 315°	
8	91003110009	TUBE 3/8 1SN OC3/8-OC3/8 L=845 45°	
9	91003110016	TUBE 1/4 1SC OC3/8-OC3/8 L=820 45°	
10	91003110010	TUBE 1/4 1SN OC1/4-F90°3/8 L=545 45°	
11	91003110007	TUBE 5/8 2SC F1/2-F90°1/2 L=775	
12	91003110006	TUBE 5/8 2SC F1/2-F1/2 L=1055	
13	91003110029	TUBE 3/8 1SN OC3/8-F3/8 L=370	
14	00777600133	DOUBLE CABLE BOLT	
15	00777600003	WASHER COPPER 3/8	
16	00777600041	EMPTY SCREW 3/8	
17	00777600156	NIPPLE 1/2 - 3/8	
18	00777600155	PLUG 3/8	
19	00777600136	EYE CONNECTOR 3/8	
20	00777600001	WASHER COPPER 1/4	
21	00777600040	SIMPLE CABLE BOLT	
22	91001410000	LEFT ARM	
23	91001400000	RIGHT ARM	
24	00777600122	NIPPLE 1/4 X 1/4 - 0,9 ORIFICE	
25	00777600062	REDUCTION 3/8	
26	00777600063	NIPPLE 3/8 1/4	
27	91001330000	CONNECTION BRACKET	
28	00777600102	FEMALE RAPID ATTACHMENT 1/4	
29	00777600100	EXTENSION M/M 1/4 L=35	
30	00777600164	NIPLES 1/2	
31	00777600128	WASHER 1/2	
32	00777600160	FEMALE RAPID ATTACHMENT 1/2"	
33	00777600161	MALE RAPID ATTACHMENT 1/2"	
34	00777600162	FEMALE RAPID ATTACHMENT 1/4	
35	00777600038	WASHER BONDED 1/4	
36	00777600039	DOUBLE CABLE BOLT	
37	00777600051	VENT PLUG	
38	91001000034	CYLINDER FORK-PIN	
39	94010000060	CYLINDER FIXING PIN	
40	95001000055	TRACTION DISC SPRING	
41	00111700006	PIN EL D.6X28	
42	91001000033	SHAFT BLOCK	
43	00111000036	GREASER M6	
44	91001340000	PTO BRACKET	
45	91001000018	LIFTING PIN L=52	
46	95599000054	DISTRIBUTOR WORKING LEVEL	
47	95598750000	PTO DISTRIBUTOR GASKET KIT	
48	95598760000	DISTRIBUTOR GASKET KIT	
49	95598950000	KIT	
50	00111530008	BUSHING FRIMET TFP 20X22X15	

[Empty rectangular box]

S/N
→
→

REF. 10

#

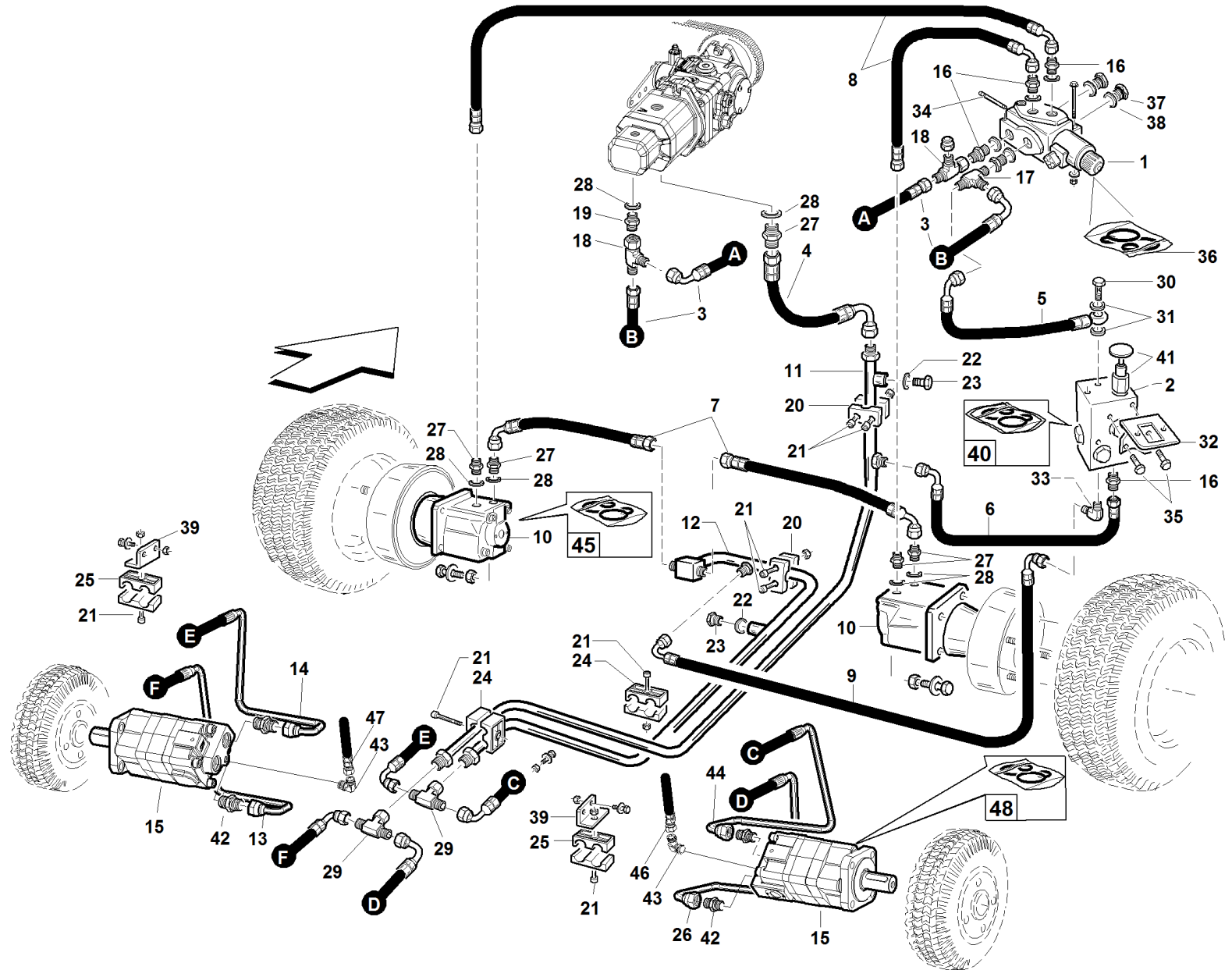
P/N

DESCRIPTION

REF. 10

#	P/N	DESCRIPTION	REF. 10

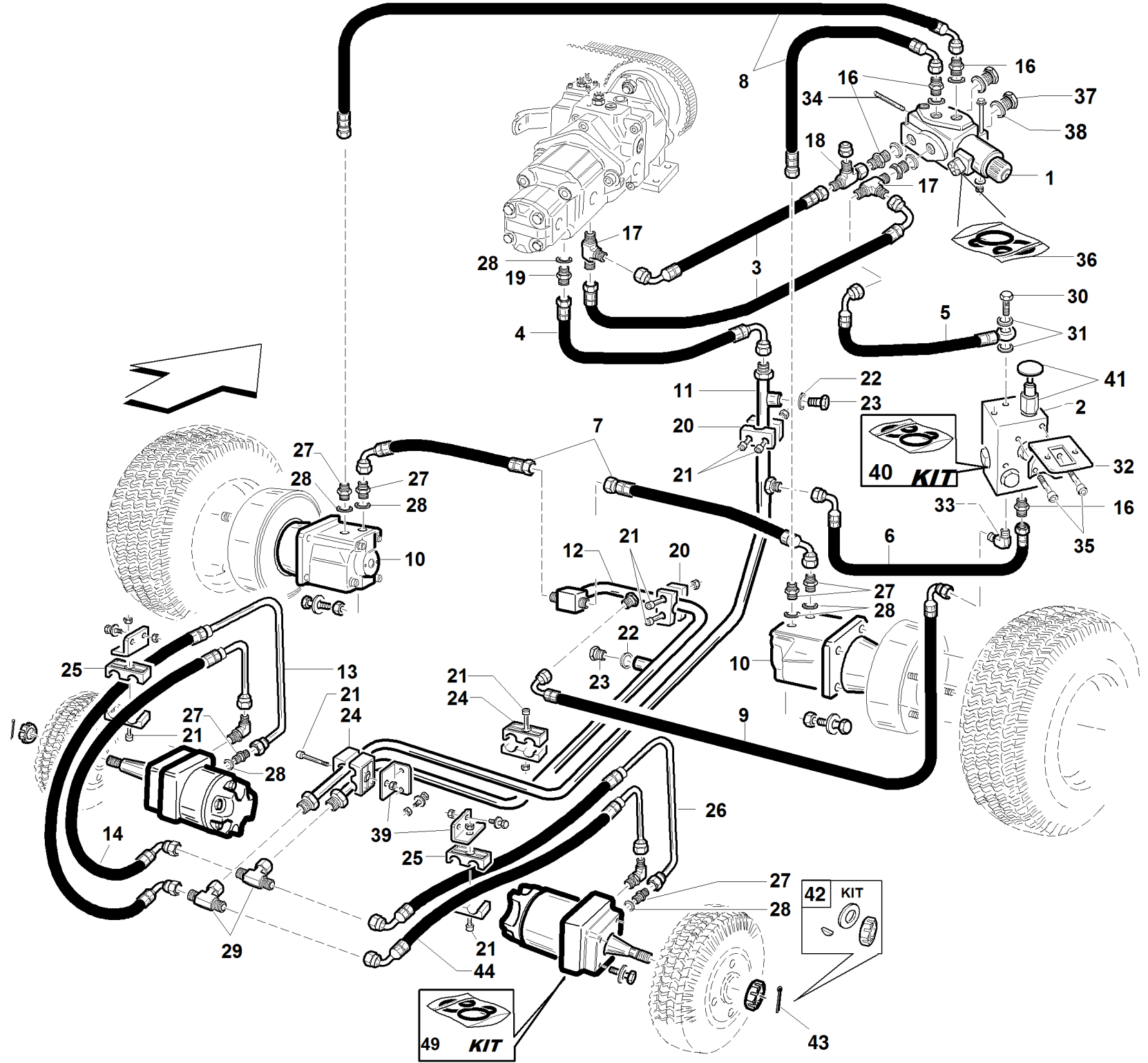
GT 4WD



S/N
→ **1205001**

REF. 10 - 00555501247

#	P/N	DESCRIPTION	GT 4WD	REF. 10 - 0055501247
1	91001000004	DIFFERENTIAL INTERLOCK VALVE Ø3mm		
2	95303000026	VALVE BLOCK		
3	91003110021	TUBE 3/8 2SC F3/8-F90°3/8 L=790		
4	91003110007	TUBE 5/8 2SC F1/2-F90°1/2 L=775		
5	91003110023	TUBE 1/4 1SC OC1/4-F90°3/8 L=400 45°		
6	91003110025	HOSE 3/8 EN857 2SC F90°3/8-F3/8 L=295		
7	91003110026	TUBE 3/8 EN857 F90°1/2-F1/2 L=490		
8	91003110028	TUBE 3/8 EN857 F90°3/8-F1/2 L=720		
9	91003110024	TUBE 3/8 F90°3/8-F90°3/8L=610 240°		
10	91001000005	HYDRAULIC ENGINE HRW200		
11	91003000002	RECOVERY TUBE D20X2.5		
12	91003000001	MIDDLE TUBE D20X2.5		
13	91003000008			
14	91003000009			
15	91003000005			
16	00777600015	NIPPLE 3/8		
17	00777600136	EYE CONNECTOR 3/8		
18	00777600158	ADAPTER 3/8 ROTATING		
19	00777600156	NIPPLE 1/2 - 3/8		
20	00111990123	PLASTIC COLLAR Ø20		
21	00111990082	SCREW TE M6X35		
22	00777600001	WASHER COPPER 1/4		
23	00777600050	PLUG 1/4		
24	00111990109	PLASTIC COLLAR		
25	00111990121	PLASTIC COLLAR		
26	91003000011			
27	00777600125	NIPPLE 1/2 - 1/2		
28	00777600128	WASHER 1/2		
29	00777600137	ADAPTER 1/2 ROTATING		
30	00777600040	SIMPLE CABLE BOLT		
31	00777600038	WASHER BONDED 1/4		
32	91001530000	BATTERY SWITCH-OFF SUPPORT BACKET		
33	00777600115	MALE ELBOW 90° 3/8		
34	95598410000	KIT DIFFERENTIAL LOCK SPOOL		
35	00111400036			
36	95598430000	VALVE SEAL KIT. Ø1,25		
37	00777600155	PLUG 3/8		
38	00777600003	WASHER COPPER 3/8		
39	91001000040	PIPE CLAMP BRACKET		
40	95598590000	VALVE HTC 4WD GASKET KIT		
41	95599000092	VALVE MCD 28/2202-PBFB		
42	00777600203	"CONNECTOR 1/2 BSP 1""1/16 UNF"		
43	00777600204	ADAPTER ADJUSTABLE 90° 1/4BSP-7/16 UNF		
44	91003000010			
45	95598690000	MOTOR OIL HRW SEALS KIT		
46	91003000006			
47	91003000007			
48	95598830000			



S/N
 → 0803001 ÷ 1204002 ←

REF. 10 - 00555501210

1	91001000004	DIFFERENTIAL INTERLOCK VALVE Ø3mm		
2	95303000026	VALVE BLOCK		
3	91003110021	TUBE 3/8 2SC F3/8-F90°3/8 L=790		
4	91003110007	TUBE 5/8 2SC F1/2-F90°1/2 L=775		
5	91003110023	TUBE 1/4 1SC OC1/4-F90°3/8 L=400 45°		
6	91003110025	HOSE 3/8 EN857 2SC F90°3/8-F3/8 L=295		
7	91003110026	TUBE 3/8 EN857 F90°1/2-F1/2 L=490		
8	91003110028	TUBE 3/8 EN857 F90°3/8-F1/2 L=720		
9	91003110024	TUBE 3/8 F90°3/8-F90°3/8L=610 240°		
10	91001000005	HYDRAULIC ENGINE HRW200		
11	91003000002	RECOVERY TUBE D20X2.5		
12	91003000001	MIDDLE TUBE D20X2.5		
13	91003000008			
14	91003000009			
16	00777600015	NIPPLE 3/8		
17	00777600136	EYE CONNECTOR 3/8		
18	00777600158	ADAPTER 3/8 ROTATING		
19	00777600156	NIPPLE 1/2 - 3/8		
20	00111990123	PLASTIC COLLAR Ø20		
21	00111990082	SCREW TE M6X35		
22	00777600001	WASHER COPPER 1/4		
23	00777600050	PLUG 1/4		
24	00111990109	PLASTIC COLLAR		
25	00111990121	PLASTIC COLLAR		
26	91003000011			
27	00777600125	NIPPLE 1/2 - 1/2		
28	00777600128	WASHER 1/2		
29	00777600137	ADAPTER 1/2 ROTATING		
30	00777600040	SIMPLE CABLE BOLT		
31	00777600038	WASHER BONDED 1/4		
32	91001530000	BATTERY SWITCH-OFF SUPPORT BASKET		
33	00777600115	MALE ELBOW 90° 3/8		
34	95598410000	KIT DIFFERENTIAL LOCK SPOOL		
35	00111400036			
36	95598430000	VALVE SEAL KIT. Ø1,25		
37	00777600155	PLUG 3/8		
38	00777600003	WASHER COPPER 3/8		
39	91001000040	PIPE CLAMP BRACKET		
40	95598590000	VALVE HTC 4WD GASKET KIT		
41	95599000092	VALVE MCD 28/2202-PBFB		
42	00777600203	CONNECTOR 1/2 BSP 1"1/16 UNF		
43	00777600204	ADAPTER ADJUSTABLE 90° 1/4BSP-7/16 UNF		
44	91003000010			
45	95598690000	HRW WHEEL MOTOR OIL SEALS KIT		
46	91003000006			
47	91003000007			
49	95599680000	MOTOR OIL SEALS KIT		



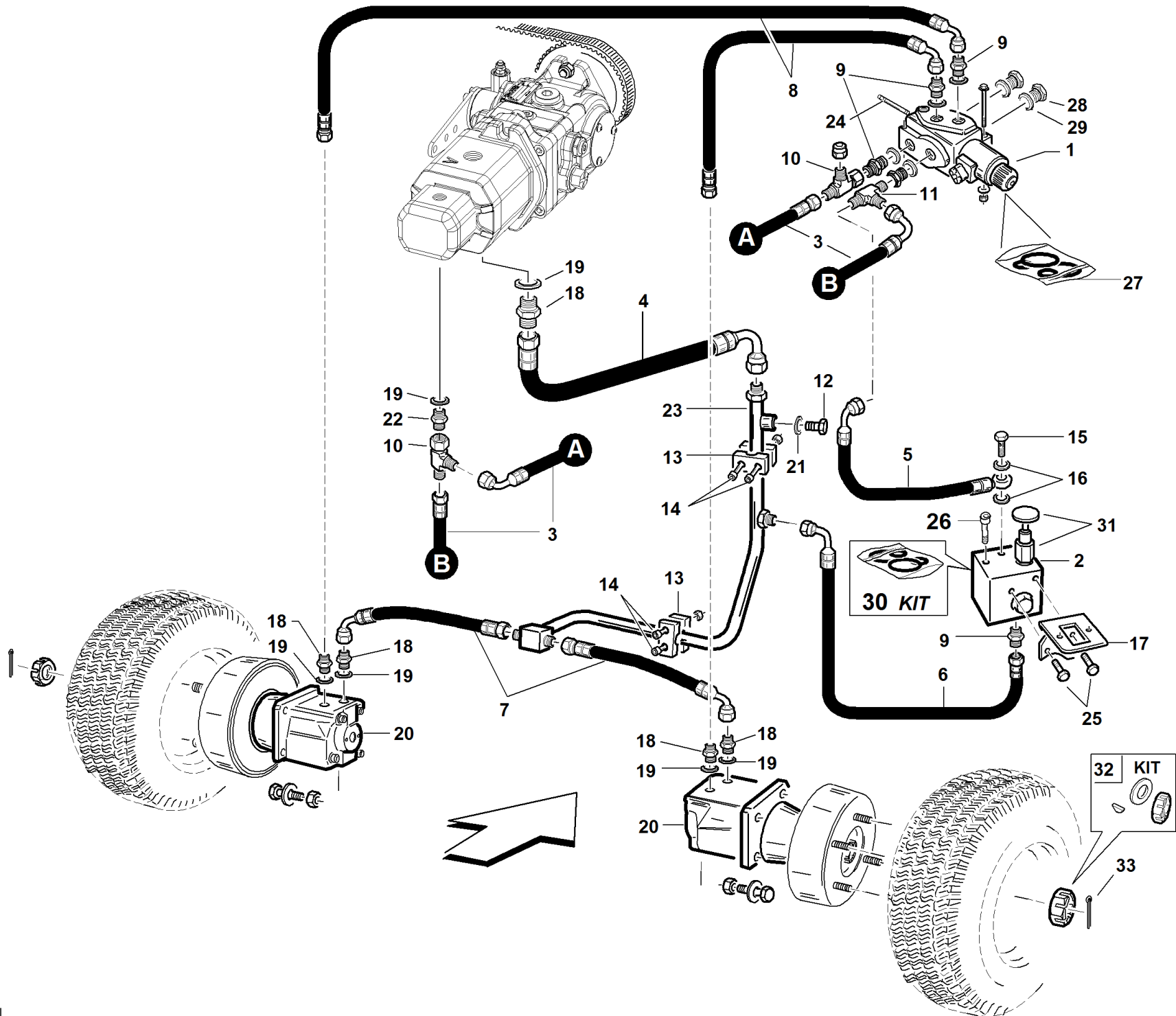
#

P/N

DESCRIPTION

REF. 11

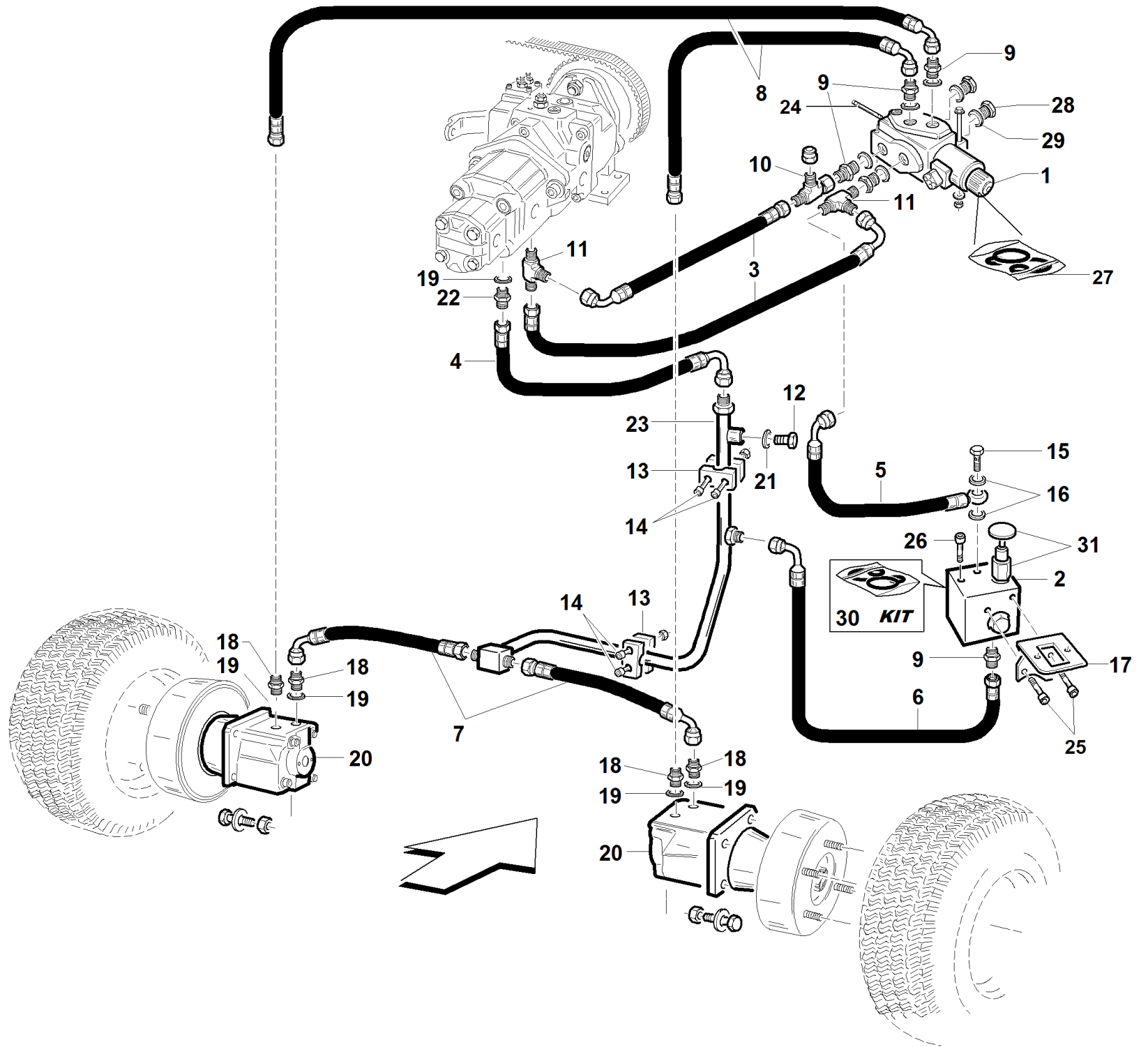
#	P/N	DESCRIPTION	REF. 11



S/N
→1201002

REF. 11 - 00555501244

#	P/N	DESCRIPTION	GT 2WD
1	91001000004	DIFFERENTIAL INTERLOCK VALVE Ø3mm	
2	91004000001	BY-PASS VALVE BLOCK	
3	91003110021	TUBE 3/8 2SC F3/8-F90°3/8 L=790	
4	91003110007	TUBE 5/8 2SC F1/2-F90°1/2 L=775	
5	91003110023	TUBE 1/4 1SC OC1/4-F90°3/8 L=400 45°	
6	91004000003	SCHLAUCH3/8 EN857 2SC F90°3/8-F3/8 L=345	
7	91003110026	TUBE 3/8 EN857 F90°1/2-F1/2 L=490	
8	91003110028	TUBE 3/8 EN857 F90°3/8-F1/2 L=720	
9	00777600015	NIPPLE 3/8	
10	00777600158	ADAPTER 3/8 ROTATING	
11	00777600136	EYE CONNECTOR 3/8	
12	00777600050	PLUG 1/4	
13	00111990109	PLASTIC COLLAR	
14	00111990082	SCREW TE M6X35	
15	00777600040	SIMPLE CABLE BOLT	
16	00777600038	WASHER BONDED 1/4	
17	91001530000	BATTERY SWITCH-OFF SUPPORT BACKET	
18	00777600125	NIPPLE 1/2 - 1/2	
19	00777600128	WASHER 1/2	
20	91001000005	HYDRAULIC ENGINE HRW200	
21	00777600001	WASHER COPPER 1/4	
22	00777600156	NIPPLE 1/2 - 3/8	
23	91004000002	RECOVERY PIPE D20X2.5	
24	95598410000	KIT DIFFERENTIAL LOCK SPOOL	
25	00111400036		
26	00111400033	SCREW TCEI M 8 X 60	
27	95598430000	VALVE SEAL KIT. Ø1,25	
28	00777600155	PLUG 3/8	
29	00777600003	WASHER COPPER 3/8	
30	95598600000		
31	95599000092	VALVE MCD 28/2202-PBFB	
32	95598470000	NUT-WASHER-TONGUA KIT	
33	00111000177	PIN 4X40	

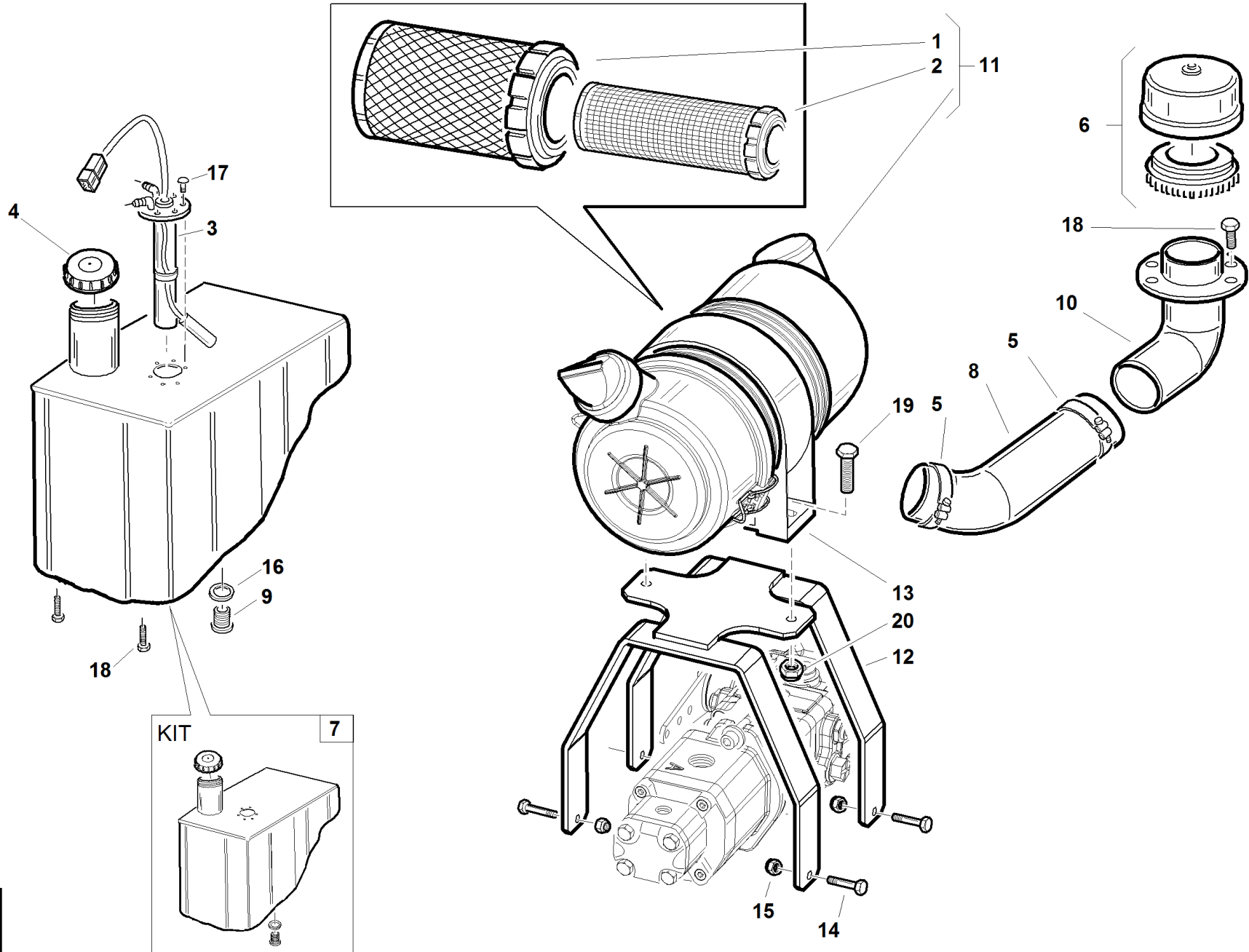


S/N
 → 0803001 ÷ 1201001 ←

REF. 11 - 00555501211

#	P/N	DESCRIPTION	GT 2WD
1	91001000004	DIFFERENTIAL INTERLOCK VALVE Ø3mm	
2	91004000001	BY-PASS VALVE BLOCK	
3	91003110021	TUBE 3/8 2SC F3/8-F90°3/8 L=790	
4	91003110007	TUBE 5/8 2SC F1/2-F90°1/2 L=775	
5	91003110023	TUBE 1/4 1SC OC1/4-F90°3/8 L=400 45°	
6	91004000003	SCHLAUCH3/8 EN857 2SC F90°3/8-F3/8 L=345	
7	91003110026	TUBE 3/8 EN857 F90°1/2-F1/2 L=490	
8	91003110028	TUBE 3/8 EN857 F90°3/8-F1/2 L=720	
9	00777600015	NIPPLE 3/8	
10	00777600158	ADAPTER 3/8 ROTATING	
11	00777600136	EYE CONNECTOR 3/8	
12	00777600050	PLUG 1/4	
13	00111990109	PLASTIC COLLAR	
14	00111990082	SCREW TE M6X35	
15	00777600040	SIMPLE CABLE BOLT	
16	00777600038	WASHER BONDED 1/4	
17	91001530000	BATTERY SWITCH-OFF SUPPORT BACKET	
18	00777600125	NIPPLE 1/2 - 1/2	
19	00777600128	WASHER 1/2	
20	91001000005	HYDRAULIC ENGINE HRW200	
21	00777600001	WASHER COPPER 1/4	
22	00777600156	NIPPLE 1/2 - 3/8	
23	91004000002	RECOVERY PIPE D20X2.5	
24	95598410000	KIT DIFFERENTIAL LOCK SPOOL	
25	00111400036		
26	00111400033	SCREW TCEI M 8 X 60	
27	95598430000	VALVE SEAL KIT. Ø1,25	
28	00777600155	PLUG 3/8	
29	00777600003	WASHER COPPER 3/8	
30	95598600000		
31	95599000092	VALVE MCD 28/2202-PBFB	

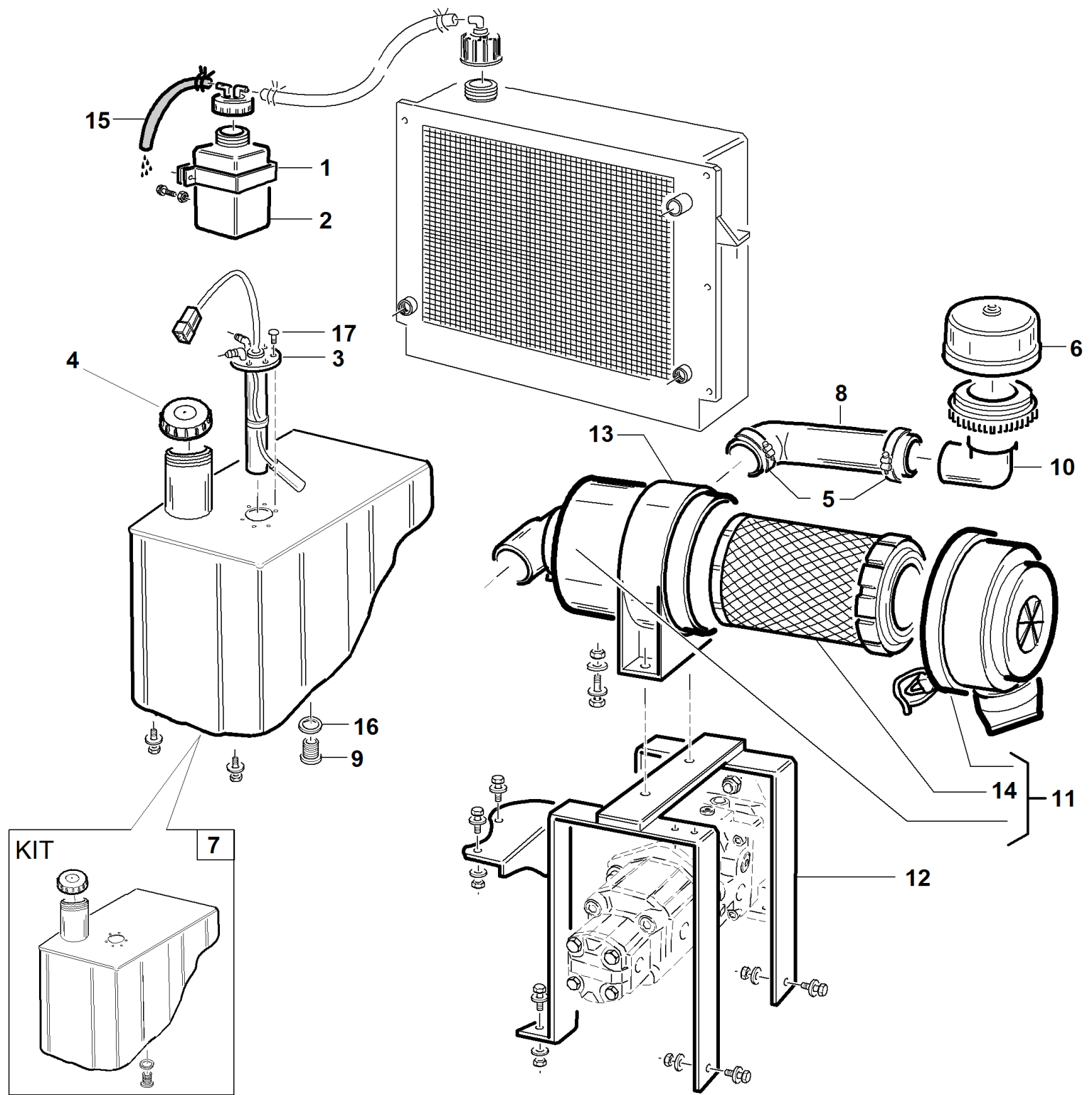
GT



S/N
→1111005

REF. 12 - 00555501245

#	P/N	DESCRIPTION	GT
1	00777650077	AIR FILTER DONALDSON 5"	
2	00777650079	AIR PRE-FILTER DONALDSON 5"	
3	00777800199	RESERVE GAUGE	
4	00111970155	FILLERCAP WITH VALVE	
5	00111810012	CLAMP 40-60 TYPE NORMA	
6	00777650059	AIR PRE-FILTER	
7	91001950000		
8	91009000012		
9	00777600050	PLUG 1/4	
10	91002240000	AIR SUCTION PIPE	
11	00777650072	5" AIR FILTER CARTRIDGE	
12	91009130000		
13	00777650073		
14	00111000112	SCREW TE M6X40	
15	00111000035	SELF BLOC. NUT M6	
16	00777600001	WASHER COPPER 1/4	
17	00111450017	SCREW FR M4X18	
18	00111450004	SCREW WASHER M8X12	
19	00111000033	SCREW TE M8X30	
20	00111000071	SELF BLO. NUT M8	

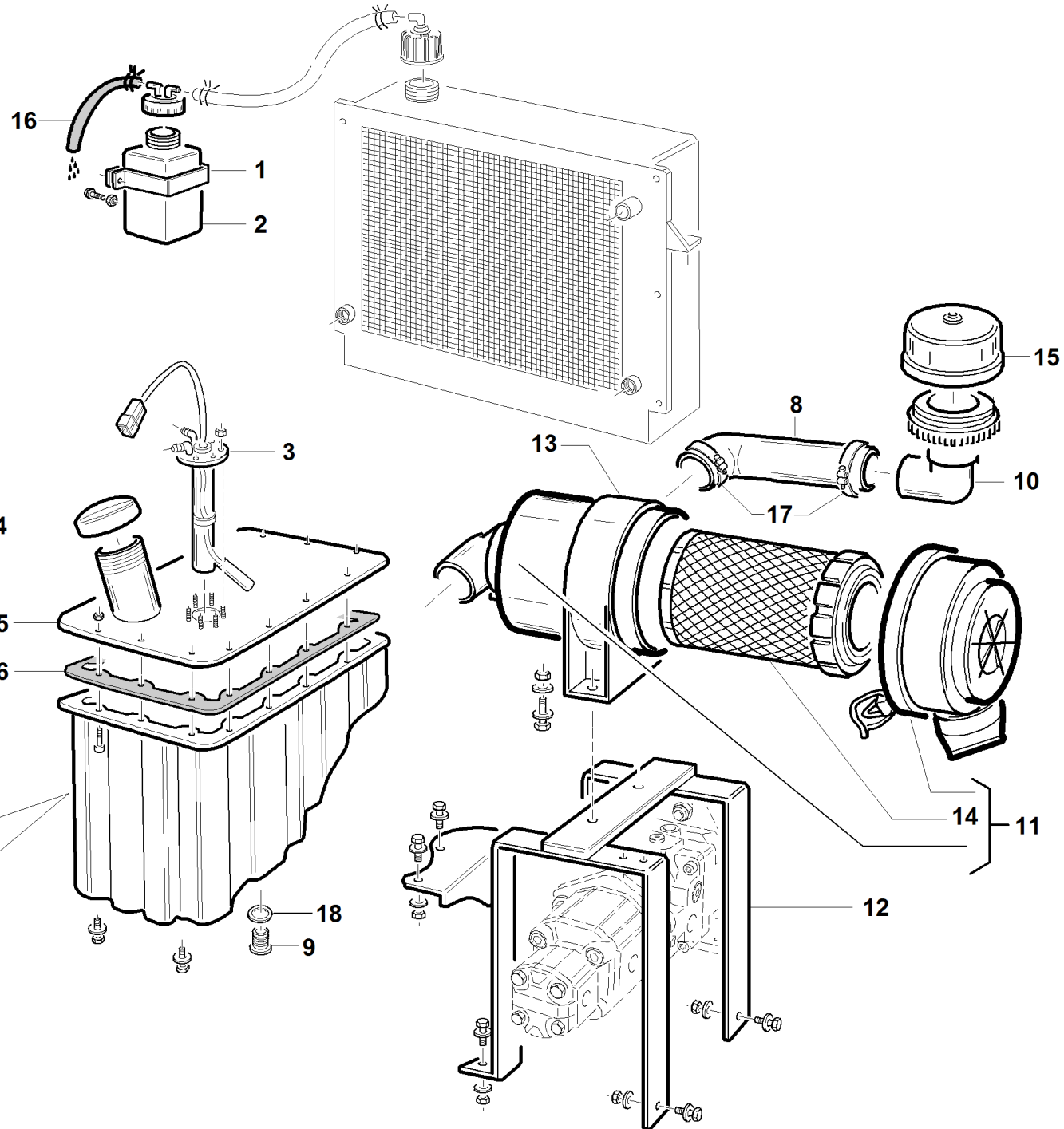


S/N
→ **0907003 ÷ 1111004** ←

REF. 12 - 00555501220

#	P/N	DESCRIPTION	GT
1	91001560000	TANK SUPPORT BRACKET	
2	00111970192	EXPANSION RESERVOIR	
3	00777800199	RESERVE GAUGE	
4	00111970155	FILLERCAP WITH VALVE	
5	00111810012	CLAMP 40-60 TYPE NORMA	
6	00777650059	AIR PRE-FILTER	
7	91001950000		
8	91002000007	ENGINE-FILTER SUCTION HOSE	
9	00777600050	PLUG 1/4	
10	91002240000	AIR SUCTION PIPE	
11	00777650057	DONALDSON AIR FILTER	
12	91002170000	AIR-FILTER SUPPORT	
13	00777650043	BRACKET AIR FILTER SUPPORT	
14	00777650042	AIR FILTER CARTRIDGE	
15	91001000061		
16	00777600001	WASHER COPPER 1/4	

GT



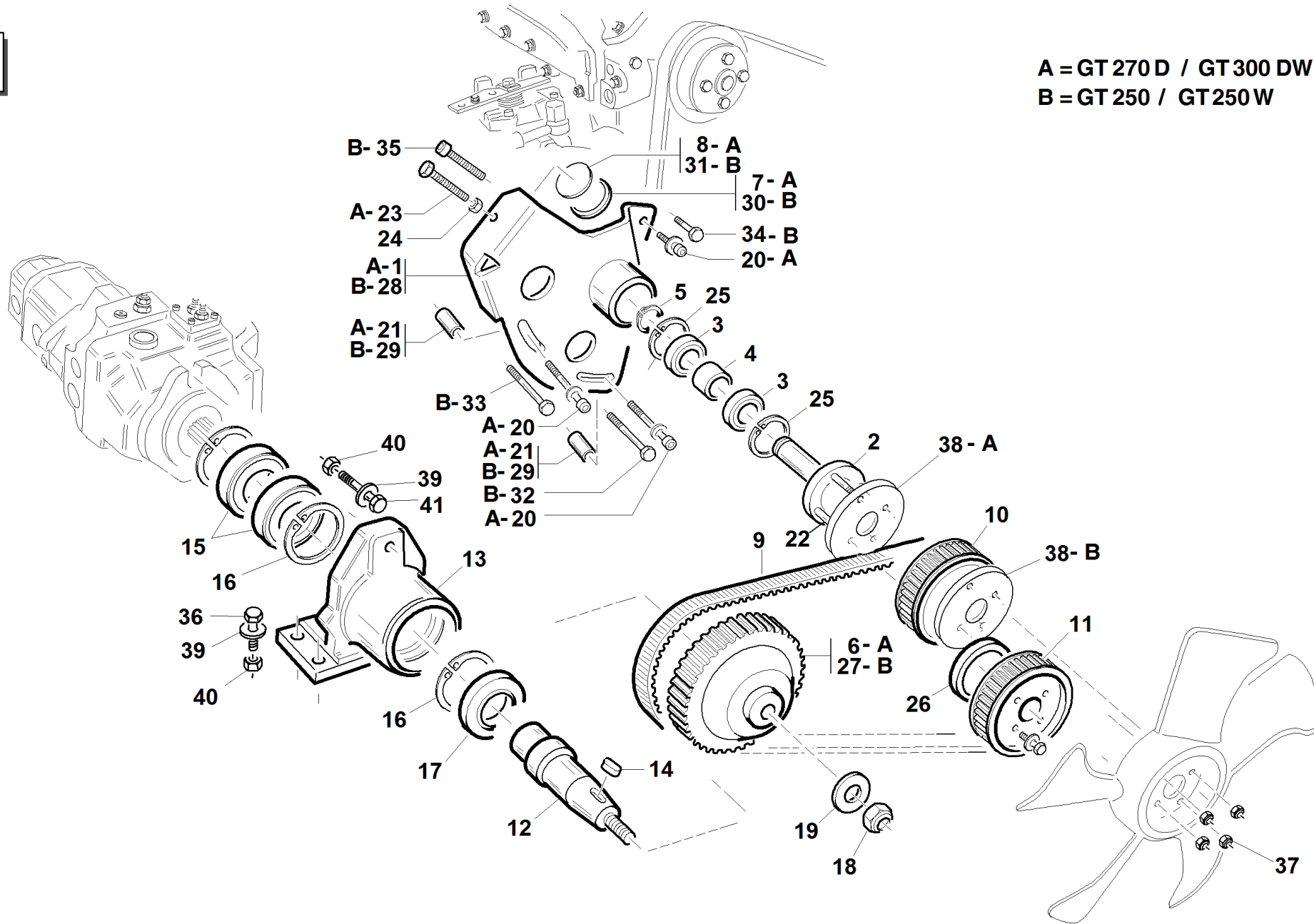
S/N

→ **0803001 ÷ 0907002** ←

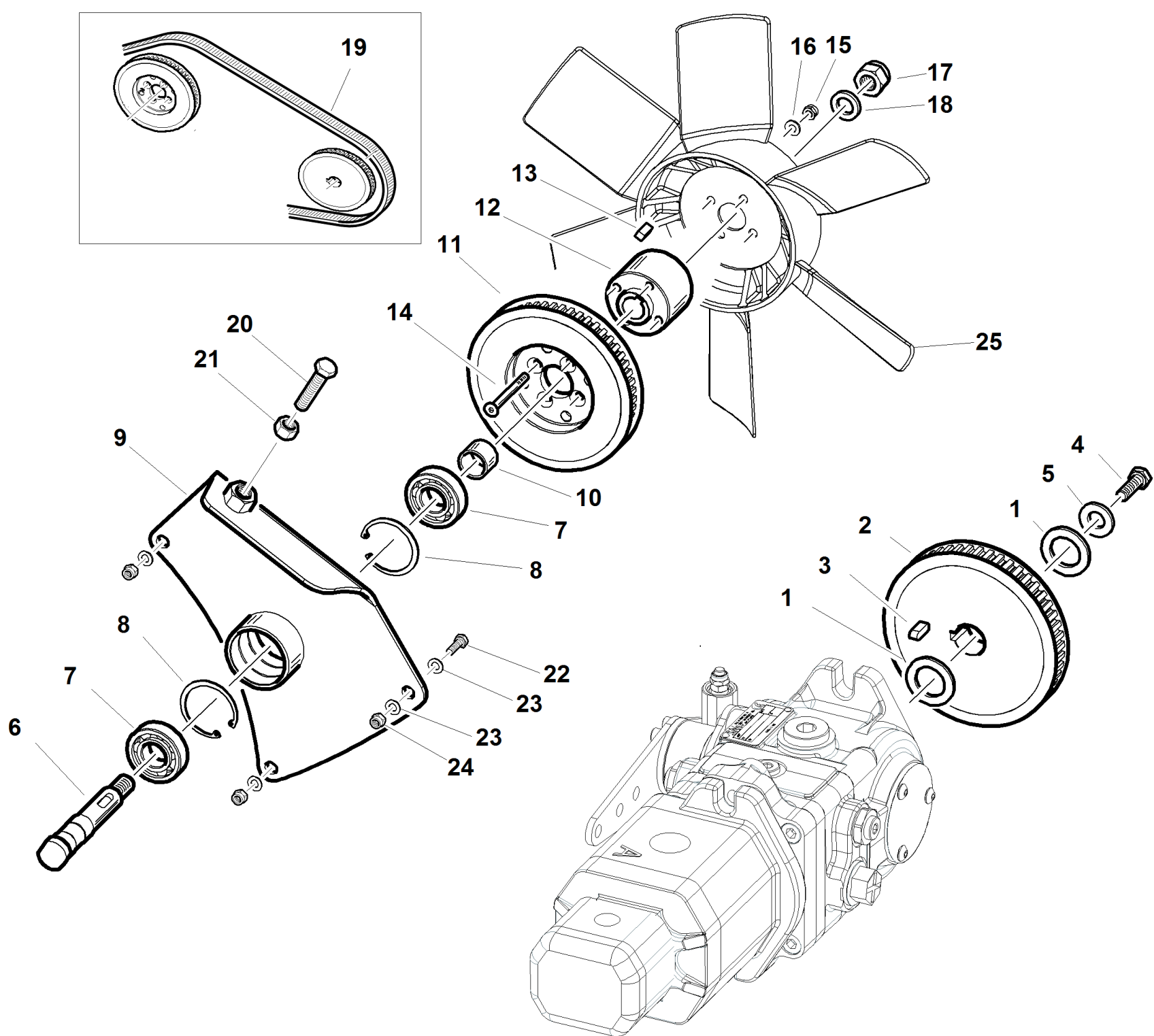
REF. 12 - 00555501212

#	P/N	DESCRIPTION	GT
1	91001560000	TANK SUPPORT BRACKET	
2	00111970192	EXPANSION RESERVOIR	
3	00777800199	RESERVE GAUGE	
4	00111970193	TANK CAP	
5	91002220000	TANK COVER	
6	91002180010	TANK GASKET	
7	91001950000		
8	91002000007	ENGINE-FILTER SUCTION HOSE	
9	00777600172	HEXAGONAL PLUG WITH OR 3/4 BSP	
10	91002240000	AIR SUCTION PIPE	
11	00777650057	DONALDSON AIR FILTER	
12	91002170000	AIR-FILTER SUPPORT	
13	00777650043	BRACKET AIR FILTER SUPPORT	
14	00777650042	AIR FILTER CARTRIDGE	
15	00777650059	AIR PRE-FILTER	
16	91001000061		
17	00111810012	CLAMP 40-60 TYPE NORMA	
18	00777600001	WASHER COPPER 1/4	
19	00111970155	FILLERCAP WITH VALVE	

A = GT 270 D / GT 300 DW
B = GT 250 / GT 250W



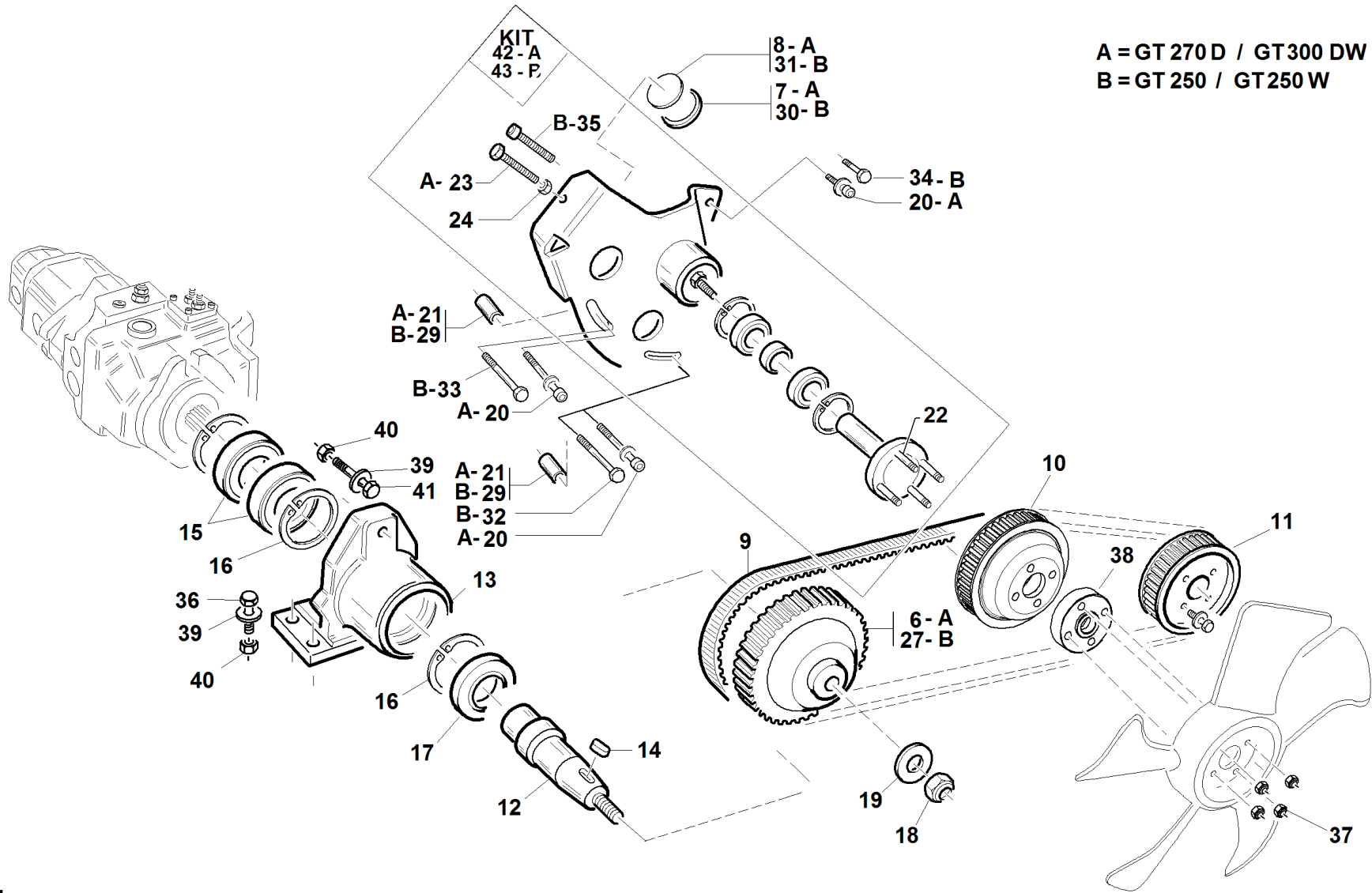
#	P/N	DESCRIPTION	GT
1	91002120000	FAN SUPPORT	
2	91002000002	FAN SHAFT	
3	00777100013	BEARING 6002 2RS 15X32X9	
4	91002000003	SPACER	
5	00111650036		
6	91002000001	PULLEY POLY CHAIN 8M-53S	
7	91002000011	FAN REGULATION SUPPORT	
8	91002000012	PROTECTION	
9	00111980035	BELT POLY CHAIN GT2 PC2 8MGT 1120/15	
10	91002110000	FAN PULLEY POLY CHAIN 8M-40s	
11	91002100000	PULLEY POLY CHAIN 8M-50S	
12	91001000008	PULLEY SHAFT	
13	91001000007	PUMP SUPPORT	
14	00111900006	TONGUE A 6X6X18	
15	00777100024	BEARING 30X62X16	
16	00111650029	SNAP RING D.62	
17	00777250031	SEAL WASHER AS 30X62X7	
18	00111250008	SELF BL. NUT M12	
19	00111500003	WASHER 12X36X3	
20	00111400046	SCREW M6X70 12.9 ISO4762	
21	91002000013	SPACER	
22	00111320004	STUD BOLT UNI 5909 M6X30 - 8.8	
23	00111000094	SCREW TE M8X40	
24	00111000082	NUT M8	
25	00111650030	SNAP RING IXD32 UNI 7437	
26	91001000002	SPACER SP=16	
27	91005100002	PULLEY POLY CHAIN 8M-53S (950G)	
28	91005200000	FAN SUPPORT (GT250)	
29	91005000005	FAN SPACER	
30	91005000004	FAN REGULATION SUPPORT	
31	91005000006	PROTECTION	
32	00111300091	SCREW UNI 5737 M6X105	
33	00111300090	SCREW UNI 5737 M6X80	
34	00111300025	SCREW TE M6X50	
35	00111400048	SCREW M8 X 50	
36	00111300018	SCREW TE M10X35	
37	00111000035	SELF BLOC. NUT M6	
38	00111970197	SPACER Ø15 x Ø55 x 15	
39	00111550005	WASHER M10	
40	00111250004	SELF BL. NUT M10	
41	00111300029	SCREW TE M10X55	



S/N
→1111005

REF. 13 - 00555501246

#	P/N	DESCRIPTION	GT
1	92006000013		
2	92006110000	PULLEY POLY CHAIN 8M-50S	
3	00111900006	TONGUE A 6X6X18	
4	00111300064	SCREW M8X25	
5	00111550013		
6	91009000005		
7	00777100020	KOYO BEARING 6204 2RS	
8	00111000058	SNAP RING D.47 I	
9	91009120000		
10	91009000010		
11	91009150000		
12	91009000006		
13	00111900022	TONGUE 1/4 X 1/4 X 14,5	
14	00111350016		
15	00111000035	SELF BLOC. NUT M6	
16	00111500009	WASHER 6.4X12.5X1.6	
17	00111250011	SELF BL. NUT M14x1,5	
18	91009000011		
19	00111980045	POLY CHAIN GT2 8MGT-1200-15 BELT	
20	00111000211	HEXAGONAL HEAD SCREW M14X90	
21	00111150004	NUT M14	
22	00111000103	SCREW TE M10X30	
23	00111000015	WASHER D.10,5X21X2	
24	00111250004	SELF LOCKING NUT M10 UNI 7473	
25	00111970272	KUBOTA Ø360 FAN	

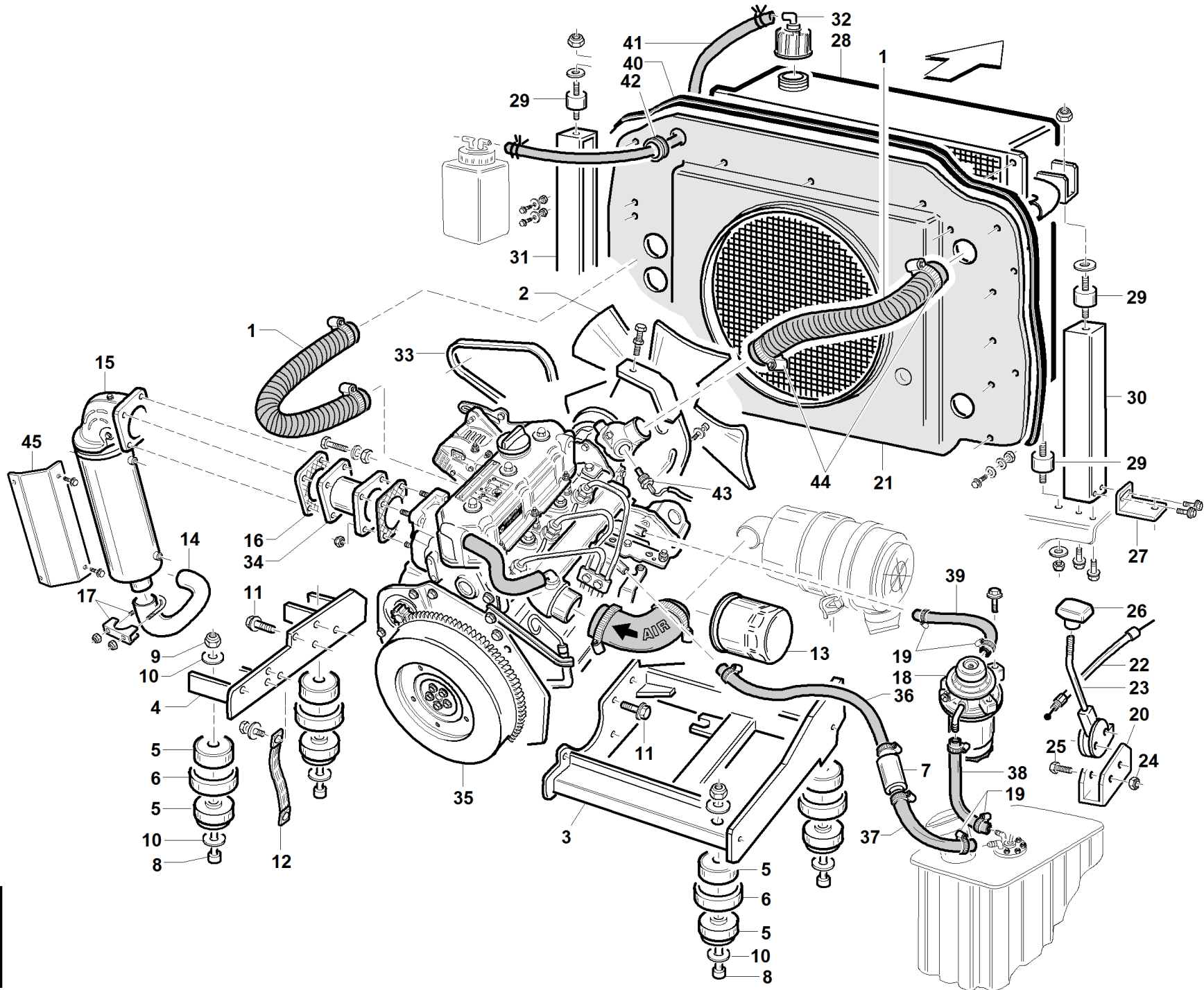


S/N

→ **0803001 ÷ 1111004** ←

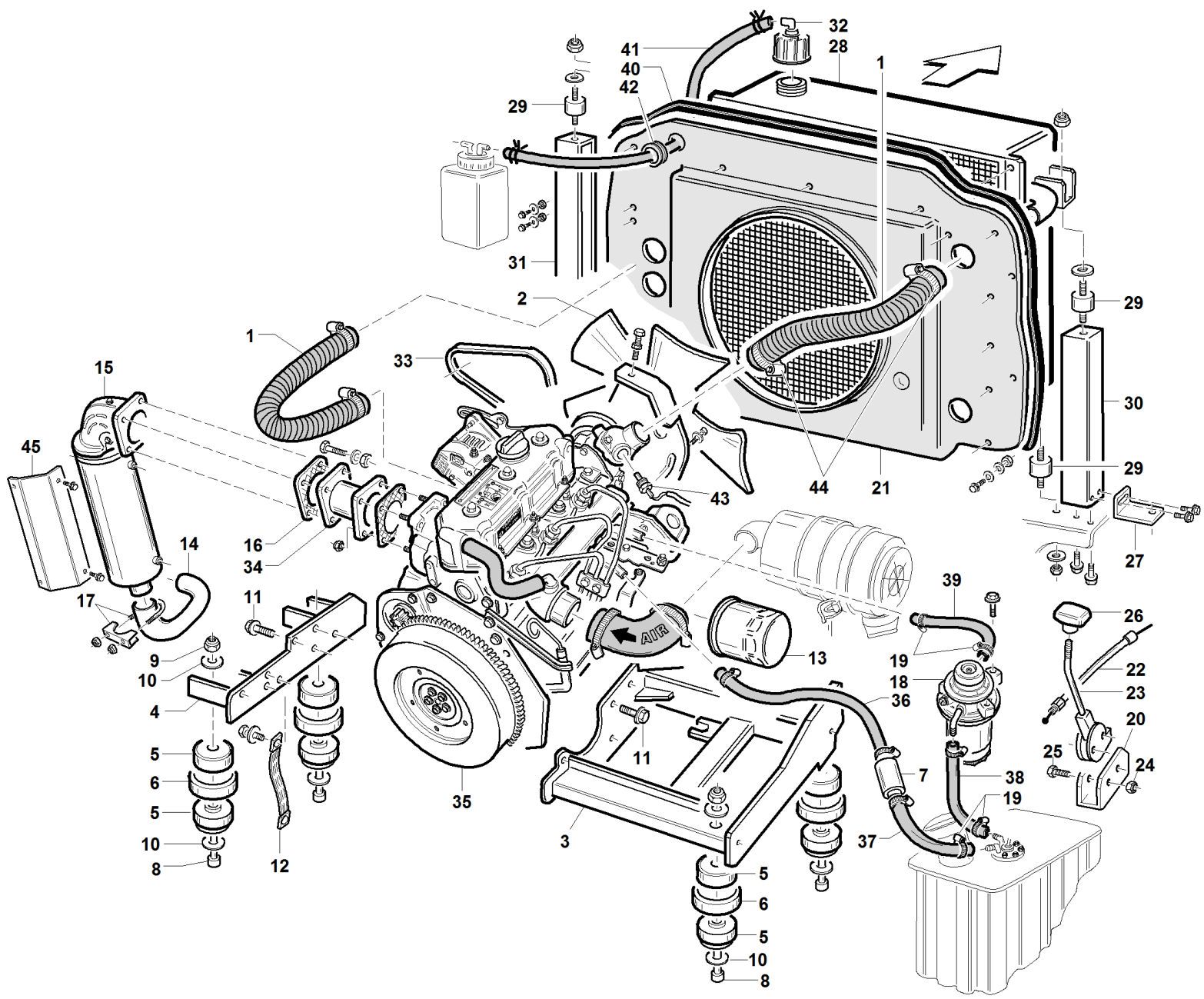
REF. 13 - 00555501213

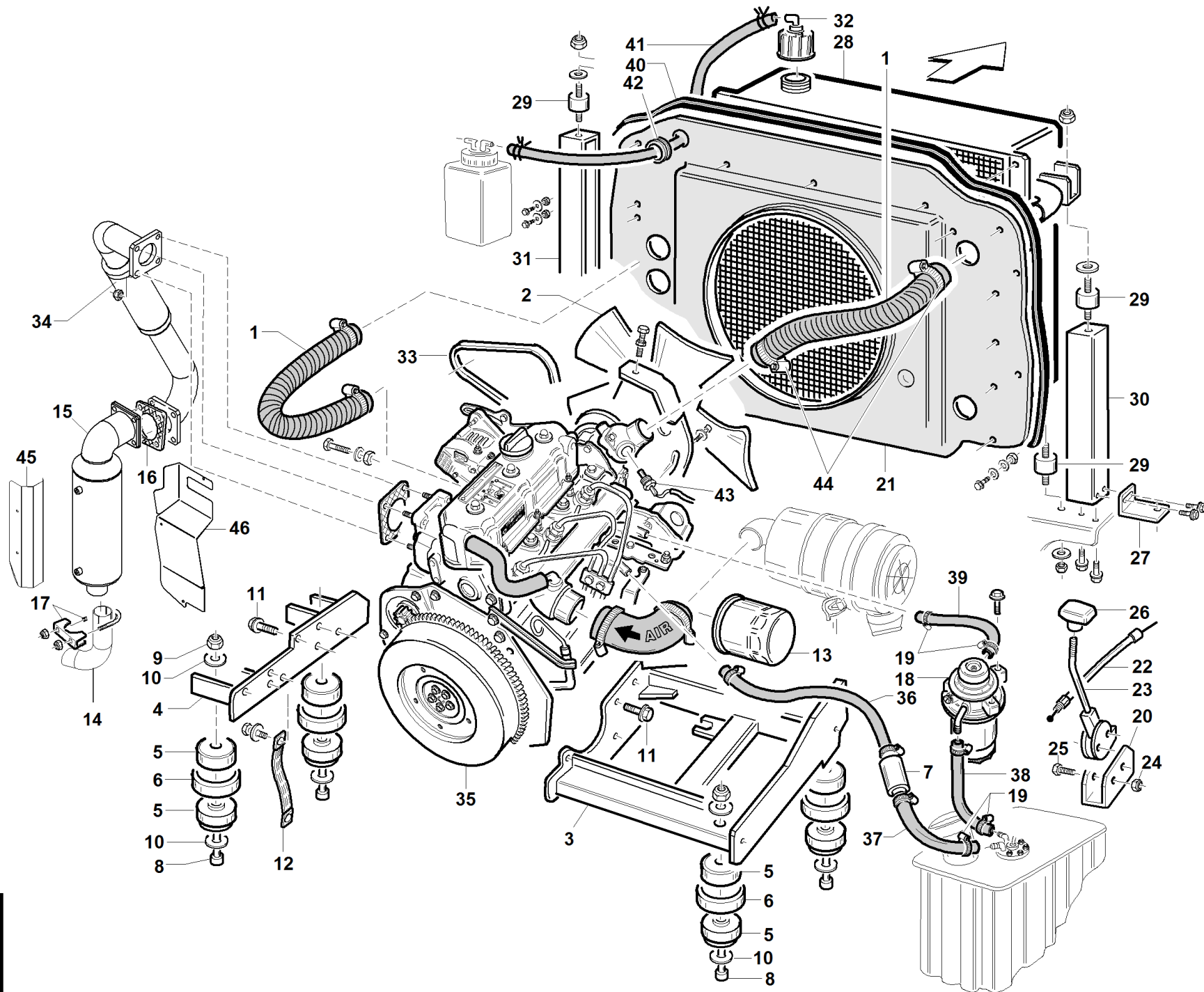
#	P/N	DESCRIPTION	GT
6	91002000001	PULLEY POLY CHAIN 8M-53S	
7	91002000011	FAN REGULATION SUPPORT	
8	91002000012	PROTECTION	
9	00111980035	BELT POLY CHAIN GT2 PC2 8MGT 1120/15	
10	91002110000	FAN PULLEY POLY CHAIN 8M-40s	
11	91002100000	PULLEY POLY CHAIN 8M-50S	
12	91001000008	PULLEY SHAFT	
13	91001000007	PUMP SUPPORT	
14	00111900006	TONGUE A 6X6X18	
15	00777100024	BEARING CLA 6206 0X62X16	
16	00111650029	SNAP RING D.62	
17	00777250031	SEAL WASHER AS 30X62X7	
18	00111250008	SELF BL. NUT M12	
19	00111500003	WASHER 12X36X3	
20	00111400046	SCREW M6X70 12.9 ISO4762	
21	91002000013	SPACER	
22	00111320004	STUD BOLT UNI 5909 M6X30 - 8.8	
23	00111000094	SCREW TE M8X40	
24	00111000082	NUT M8	
27	91005100002	PULLEY POLY CHAIN 8M-53S (950G)	
29	91005000005	FAN SPACER	
30	91005000004	FAN REGULATION SUPPORT	
31	91005000006	PROTECTION	
32	00111300091	SCREW UNI 5737 M6X105	
33	00111300090	SCREW UNI 5737 M6X80	
34	00111300025	SCREW TE M6X50	
35	00111400048	SCREW M8 X 50	
36	00111300018	SCREW TE M10X35	
37	00111000035	SELF BLOC. NUT M6	
38	00111970197	SPACER Ø15 x Ø55 x 15	
39	00111550005	WASHER M10	
40	00111250004	SELF BL. NUT M10	
41	00111300029	SCREW TE M10X55	
42	95598250000	GT270/300 DIESEL FAN SUPPORT KIT	
43	95598260000	GT250 PETROL FAN SUPPORT KIT	



S/N
→ ÷ ←

REF. 14

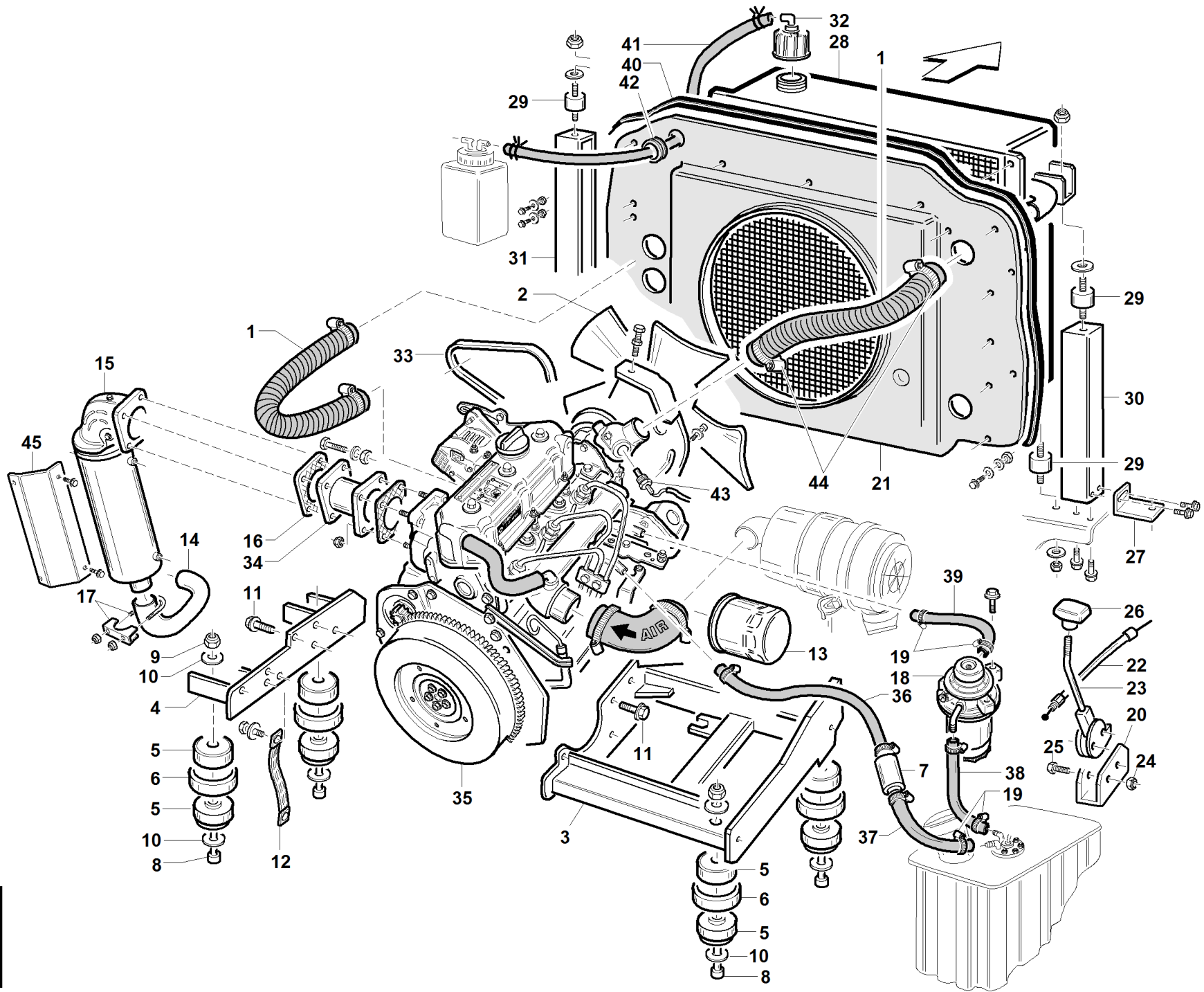




S/N
→1009001

REF. 14 - 00555501230

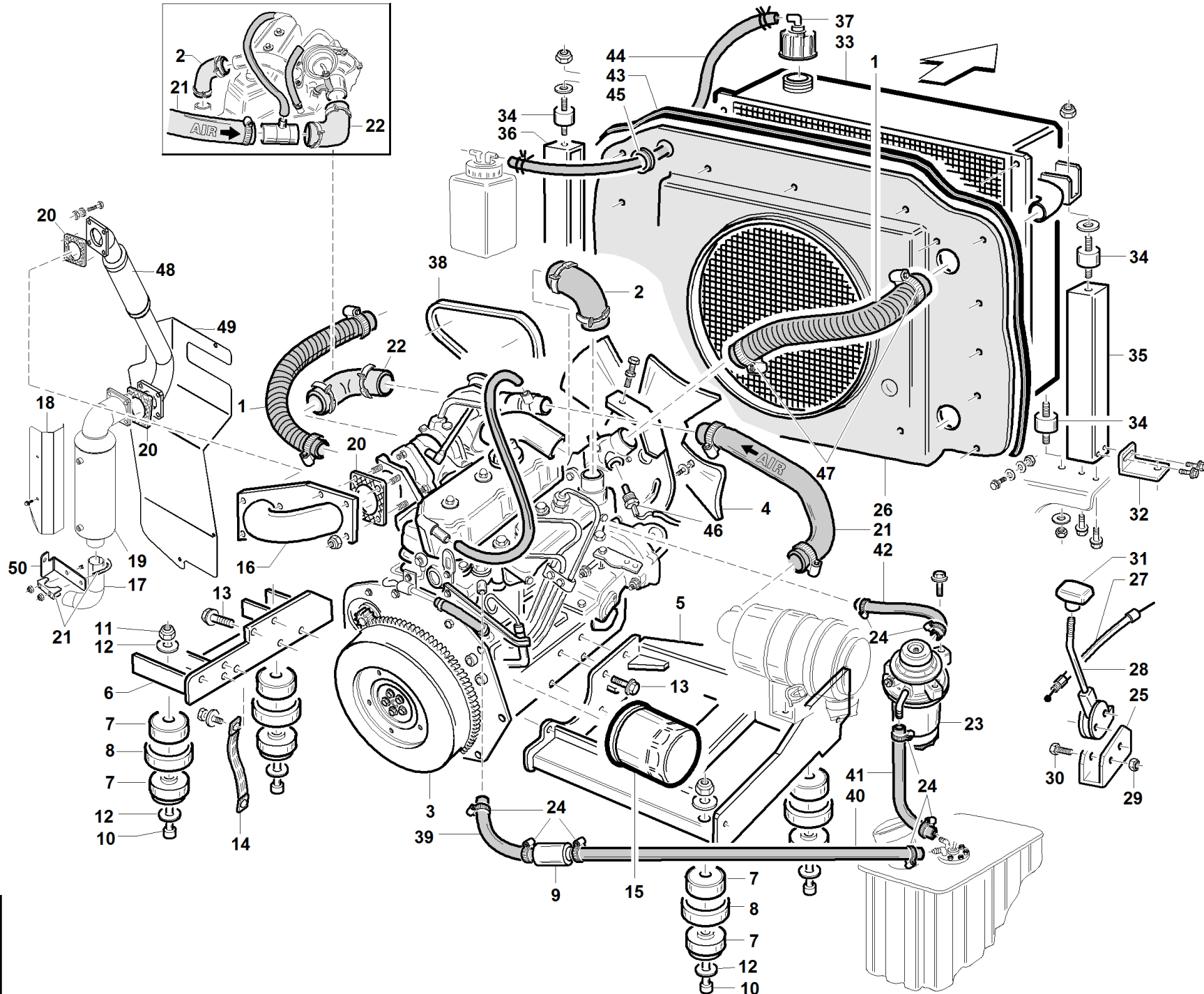
#	P/N	DESCRIPTION	DAIHATSU 950 D	REF. 14 - 00555501230
1	91002000015	RADIATOR HOSE Ø25 L= 485		
2	00111970188	COOLING FAN Ø340 DAIHATSU		
3	91002150000	ENGINE RIGHT SUPPORT		
4	91002160000	ENGINE LEFT SUPPORT		
5	00111970190	VIBRATION-DAMPING STOPPER MDS66/4020-45		
6	91001000001	SPACER Sp=18		
7	00777650056	NO RETURN VALVE Ø8 AL		
8	00111400047	SCREW TCEI M16X110		
9	00111000167	SELF BL. SCREW		
10	00111000170	WASHER 17X30X3		
11	00111000059	FAKE SCREW/WASH. M8X14		
12	00777800052	WEIGHT PLATE mm.210		
13	00777650062	DAIHATSU ENGINE OIL FILTER		
14	91006000006			
15	95599000043	DAIHATSU EXHAUST		
16	00111990114	MUFFLER COLLECTOR GASKET		
17	00111810025	EXHAUST CLAMP D=42		
18	00777650061	DAIHATSU DIESEL FILTER		
19	00111810010	CLAMP 10-16 TYPE NORMA		
20	91001540000	ACCELERATOR SUPPORT BRACKET		
21	91006200000	AIR CONVEYOR		
22	91002230001	ACCELERATOR CABLE		
23	91002230002	ACCELERATOR LEVER		
24	00111150016			
25	00111350023	SCREW TSPEI M6X20		
26	91002230003	GT ACCELERATOR KNOB		
27	91001390000	WHEEL HOUSING SUPPORT BRACKET		
28	91002000005	OIL-WATER RADIATOR		
29	00111970179	VIBRATION-DAMPING STOPPER		
30	91001380000	RADIATOR RIGHT SUPPORT BRACKET		
31	91001370000	RADIATOR LEFT SUPPORT BRACKET		
32	95599000042	RADIATOR CAP		
33	00111980033	DAIHATSU ALTERNATOR BELT		
34	91002000021			
35	00777700026	DAIHATSU 950D ENGINE		
36	91002000016	FUEL HOSE (ENGINE-VALVE) Ø6X280		
37	91002000017	FUEL HOSE Ø7.5X830		
38	91002000018	FUEL HOSE Ø7.5X990		
39	91002000019	FUEL HOSE (ENGINE-PUMP) Ø7.5X320		
40	95599000053			
41	91001000060			
42	00111970185	CABLE HOLDER Øe20/22 - Øi15		
43	00777800123	WATER TEMPERATURE SENSOR		
44	00111810033	CLAMP INOX 25-40		
45	91006000009			
46	91006000008			



S/N
→ 0803001 ÷ 1008001 ←

REF. 14 - 00555501214

1	91002000015	RADIATOR HOSE Ø25 L= 485		
2	00111970188	COOLING FAN Ø340 DAIHATSU		
3	91002150000	ENGINE RIGHT SUPPORT		
4	91002160000	ENGINE LEFT SUPPORT		
5	00111970190	VIBRATION-DAMPING STOPPER MDS66/4020-45		
6	91001000001	SPACER Sp=18		
7	00777650056	NO RETURN VALVE Ø8 AL		
8	00111400047	SCREW TCEI M16X110		
9	00111000167	SELF BL. SCREW		
10	00111000170	WASHER 17X30X3		
11	00111000059	FAKE SCREW/WASH. M8X14		
12	00777800052	WEIGHT PLATE mm.210		
13	00777650062	DAIHATSU ENGINE OIL FILTER		
14	91002000010	EXHAUST END		
15	95599000043	DAIHATSU EXHAUST		
16	00111990114	MUFFLER COLLECTOR GASKET		
17	00111810025	EXHAUST CLAMP D=42		
18	00777650061	DAIHATSU DIESEL FILTER		
19	00111810010	CLAMP 10-16 TYPE NORMA		
20	91001540000	ACCELERATOR SUPPORT BRACKET		
21	91006200000	AIR CONVEYOR		
22	91002230001	ACCELERATOR CABLE		
23	91002230002	ACCELERATOR LEVER		
24	00111150016			
25	00111350023	SCREW TSPEI M6X20		
26	91002230003	GT ACCELERATOR KNOB		
27	91001390000	WHEEL HOUSING SUPPORT BRACKET		
28	91002000005	OIL-WATER RADIATOR		
29	00111970179	VIBRATION-DAMPING STOPPER		
30	91001380000	RADIATOR RIGHT SUPPORT BRACKET		
31	91001370000	RADIATOR LEFT SUPPORT BRACKET		
32	95599000042	RADIATOR CAP		
33	00111980033	DAIHATSU ALTERNATOR BELT		
34	91002130000	EXHAUST COLLECTOR		
35	00777700026	DAIHATSU 950D ENGINE		
36	91002000016	FUEL HOSE (ENGINE-VALVE) Ø6X280		
37	91002000017	FUEL HOSE Ø7.5X830		
38	91002000018	FUEL HOSE Ø7.5X990		
39	91002000019	FUEL HOSE (ENGINE-PUMP) Ø7.5X320		
40	95599000053			
41	91001000060			
42	00111970185	CABLE HOLDER Øe20/22 - Øi15		
43	00777800123	WATER TEMPERATURE SENSOR		
44	00111810033	CLAMP INOX 25-40		
45	91002000014	EXHAUST PROTECTION		

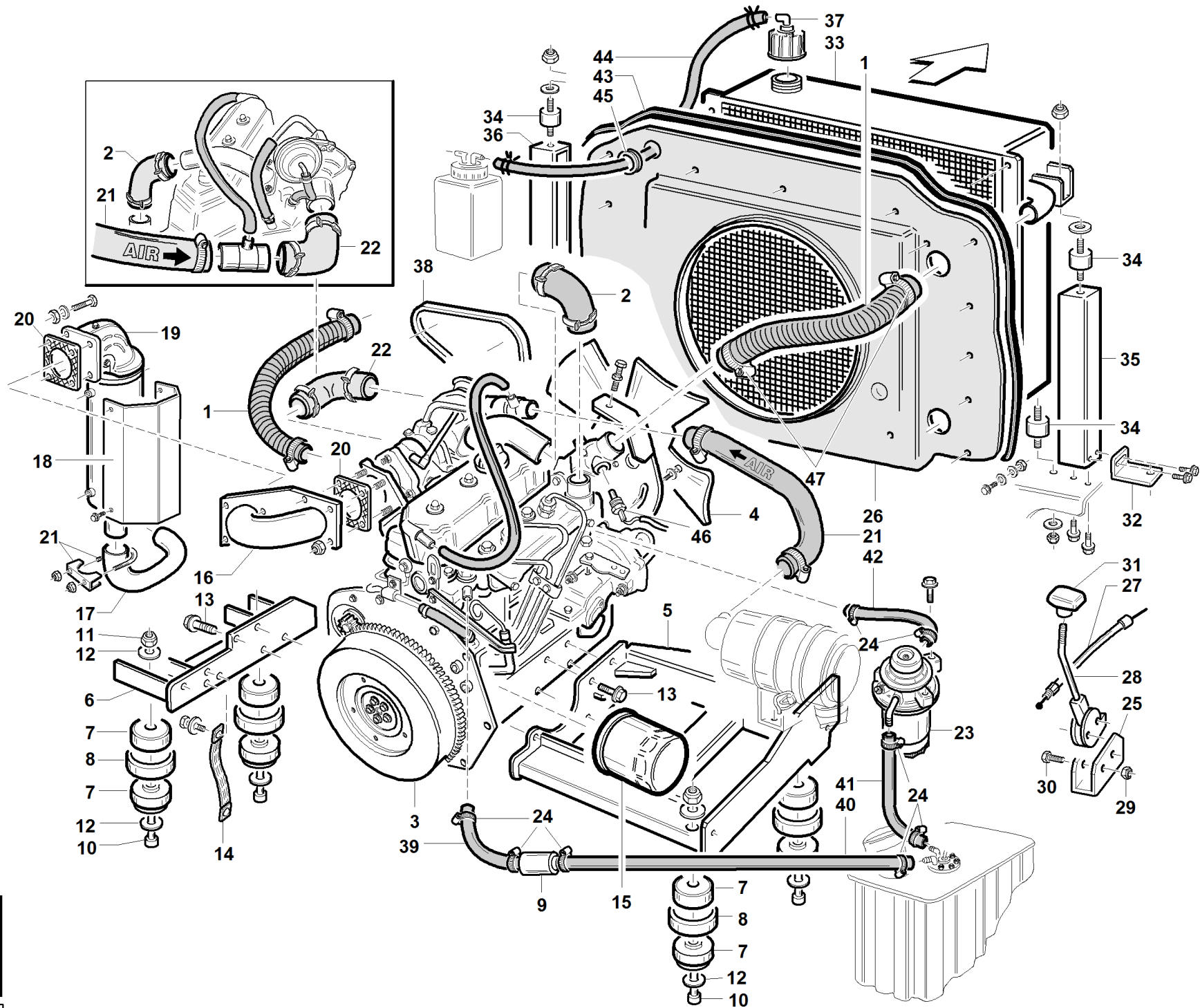


S/N
→1009001

REF. 15 - 00555501231

1	91002000015	RADIATOR HOSE Ø25 L= 485
2	95599000040	ASPIRATION SLEEVE
3	00777700025	DAIHATSU 950DT ENGINE
4	00111970188	COOLING FAN Ø340 DAIHATSU
5	91002150000	ENGINE RIGHT SUPPORT
6	91002160000	ENGINE LEFT SUPPORT
7	00111970190	VIBRATION-DAMPING STOPPER MDS66/4020-45
8	91001000001	SPACER Sp=18
9	00777650056	NO RETURN VALVE Ø8 AL
10	00111400047	SCREW TCEI M16X110
11	00111000167	SELF BL. SCREW
12	00111000170	WASHER 17X30X3
13	00111000059	FAKE SCREW/WASH. M8X14
14	00777800052	WEIGHT PLATE mm.210
15	00777650062	DAIHATSU ENGINE OIL FILTER
16	91006100000	EXHAUST COLLECTOR
17	91006000003	EXHAUST END
18	91006000009	
19	95599000043	DAIHATSU EXHAUST
20	00111990114	MUFFLER COLLECTOR GASKET
21	00111810025	EXHAUST CLAMP D=42
22	95599000041	ASPIRATION SLEEVE
23	00777650061	DAIHATSU DIESEL FILTER
24	00111810010	CLAMP 10-16 TYPE NORMA
25	91001540000	ACCELERATOR SUPPORT BRACKET
26	91006200000	AIR CONVEYOR
27	91002230001	ACCELERATOR CABLE
28	91002230002	ACCELERATOR LEVER
29	00111150016	
30	00111350023	SCREW TSPEI M6X20
31	91002230003	GT ACCELERATOR KNOB
32	91001390000	WHEEL HOUSING SUPPORT BRACKET
33	91002000005	OIL-WATER RADIATOR
34	00111970179	VIBRATION-DAMPING STOPPER
35	91001380000	RADIATOR RIGHT SUPPORT BRACKET
36	91001370000	RADIATOR LEFT SUPPORT BRACKET
37	95599000042	RADIATOR CAP
38	00111980033	DAIHATSU ALTERNATOR BELT
39	91002000016	FUEL HOSE (ENGINE-VALVE) Ø6X280
40	91002000017	FUEL HOSE Ø7.5X830
41	91002000018	FUEL HOSE Ø7.5X990
42	91002000019	FUEL HOSE (ENGINE-PUMP) Ø7.5X320
43	95599000053	
44	91001000060	
45	00111970185	CABLE HOLDER Øe20/22 - Øi15
46	00777800123	WATER TEMPERATURE SENSOR
47	00111810033	CLAMP INOX 25-40
48	91006000005	
49	91006000008	
50	91006000007	

DAIHATSU 950 DT

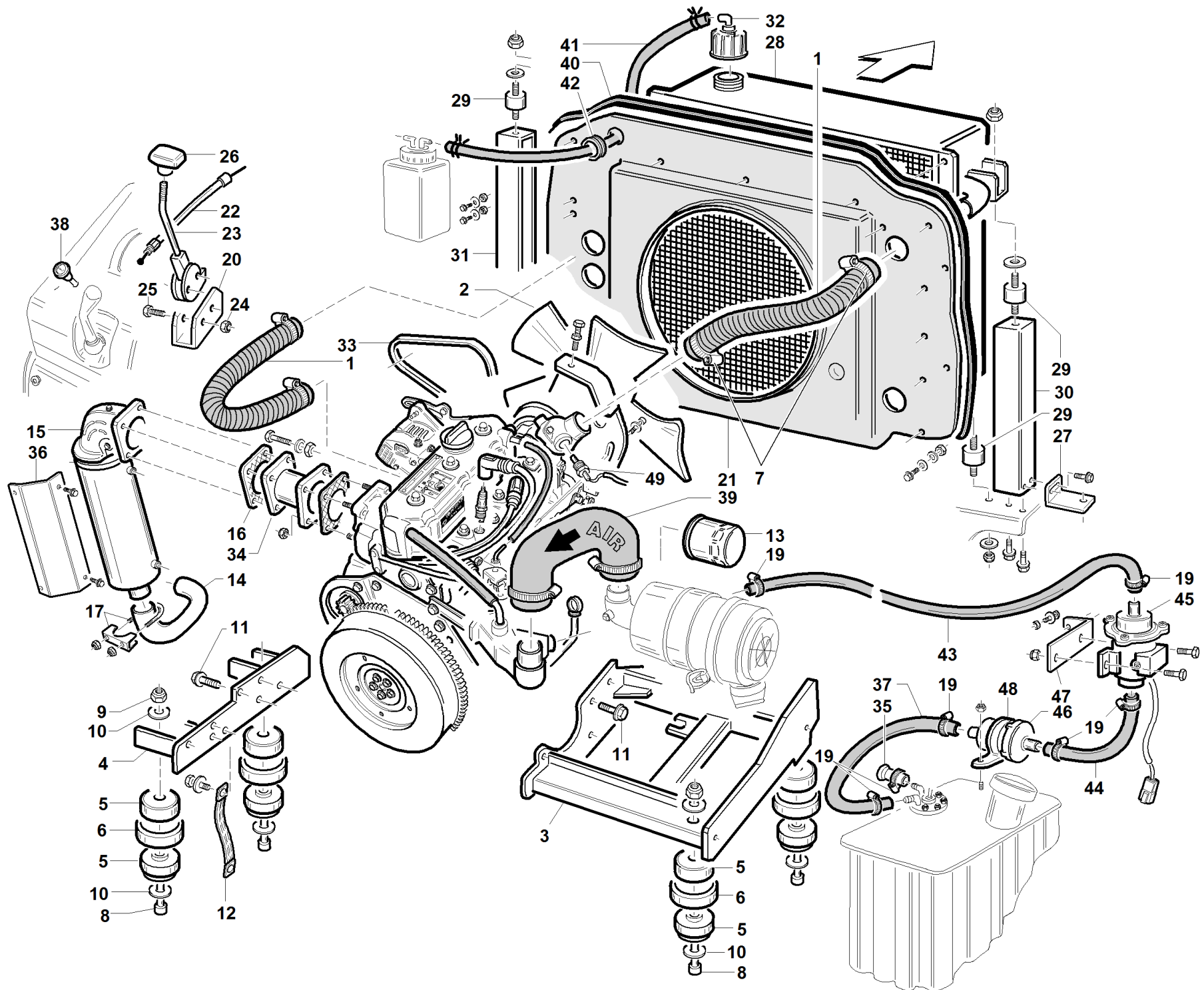


S/N

→ **0803001 ÷ 1008001** ←

REF. 15 - 00555501215

1	91002000015	RADIATOR HOSE Ø25 L= 485		
2	95599000040	ASPIRATION SLEEVE		
3	00777700025	DAIHATSU 950DT ENGINE		
4	00111970188	COOLING FAN Ø340 DAIHATSU		
5	91002150000	ENGINE RIGHT SUPPORT		
6	91002160000	ENGINE LEFT SUPPORT		
7	00111970190	VIBRATION-DAMPING STOPPER MDS66/4020-45		
8	91001000001	SPACER Sp=18		
9	00777650056	NO RETURN VALVE Ø8 AL		
10	00111400047	SCREW TCEI M16X110		
11	00111000167	SELF BL. SCREW		
12	00111000170	WASHER 17X30X3		
13	00111000059	FAKE SCREW/WASH. M8X14		
14	00777800052	WEIGHT PLATE mm.210		
15	00777650062	DAIHATSU ENGINE OIL FILTER		
16	91006100000	EXHAUST COLLECTOR		
17	91006000003	EXHAUST END		
18	91002000014	EXHAUST PROTECTION		
19	95599000043	DAIHATSU EXHAUST		
20	00111990114	MUFFLER COLLECTOR GASKET		
21	00111810025	EXHAUST CLAMP D=42		
22	95599000041	ASPIRATION SLEEVE		
23	00777650061	DAIHATSU DIESEL FILTER		
24	00111810010	CLAMP 10-16 TYPE NORMA		
25	91001540000	ACCELERATOR SUPPORT BRACKET		
26	91006200000	AIR CONVEYOR		
27	91002230001	ACCELERATOR CABLE		
28	91002230002	ACCELERATOR LEVER		
29	00111150016			
30	00111350023	SCREW TSPEI M6X20		
31	91002230003	GT ACCELERATOR KNOB		
32	91001390000	WHEEL HOUSING SUPPORT BRACKET		
33	91002000005	OIL-WATER RADIATOR		
34	00111970179	VIBRATION-DAMPING STOPPER		
35	91001380000	RADIATOR RIGHT SUPPORT BRACKET		
36	91001370000	RADIATOR LEFT SUPPORT BRACKET		
37	95599000042	RADIATOR CAP		
38	00111980033	DAIHATSU ALTERNATOR BELT		
39	91002000016	FUEL HOSE (ENGINE-VALVE) Ø6X280		
40	91002000017	FUEL HOSE Ø7.5X830		
41	91002000018	FUEL HOSE Ø7.5X990		
42	91002000019	FUEL HOSE (ENGINE-PUMP) Ø7.5X320		
43	95599000053			
44	91001000060			
45	00111970185	CABLE HOLDER Øe20/22 - Øi15		
46	00777800123	WATER TEMPERATURE SENSOR		
47	00111810033	CLAMP INOX 25-40		



1	91002000015	RADIATOR HOSE Ø25 L= 485		
2	00111970188	COOLING FAN Ø340 DAIHATSU		
3	91002150000	ENGINE RIGHT SUPPORT		
4	91002160000	ENGINE LEFT SUPPORT		
5	00111970190	VIBRATION-DAMPING STOPPER MDS66/4020-45		
6	91001000001	SPACER Sp=18		
7	00111810033	CLAMP INOX 25-40		
8	00111400047	SCREW TCEI M16X110		
9	00111000167	SELF BL. SCREW		
10	00111000170	WASHER 17X30X3		
11	00111000059	FAKE SCREW/WASH. M8X14		
12	00777800052	WEIGHT PLATE mm.210		
13	00777650062	DAIHATSU ENGINE OIL FILTER		
14	91002000010	EXHAUST END		
15	95599000043	DAIHATSU EXHAUST		
16	00111990114	MUFFLER COLLECTOR GASKET		
17	00111810025	EXHAUST CLAMP D=42		
19	00111810010	CLAMP 10-16 TYPE NORMA		
20	91001540000	ACCELERATOR SUPPORT BRACKET		
21	91006200000	AIR CONVEYOR		
22	91002230001	ACCELERATOR CABLE		
23	91002230002	ACCELERATOR LEVER		
24	00111150016			
25	00111350023	SCREW TSPEI M6X20		
26	91002230003	GT ACCELERATOR KNOB		
27	91001390000	WHEEL HOUSING SUPPORT BRACKET		
28	91002000005	OIL-WATER RADIATOR		
29	00111970179	VIBRATION-DAMPING STOPPER		
30	91001380000	RADIATOR RIGHT SUPPORT BRACKET		
31	91001370000	RADIATOR LEFT SUPPORT BRACKET		
32	95599000042	RADIATOR CAP		
33	00111980033	DAIHATSU ALTERNATOR BELT		
34	91002130000	EXHAUST COLLECTOR		
35	95210000011	FUEL RETURN CAP		
36	91006000009			
37	91005000011	FUEL HOSE (FILTER-PUMP) Ø7.5X118		
38	91005000008	STARTER CABLE		
39	91005000007	ENGINE ASPIRATION SLEEVE		
40	95599000053			
41	91001000060			
42	00111970185	CABLE HOLDER Øe20/22 - Øi15		
43	91005000012	FUEL HOSE (PUMP-ENGINE) Ø6X1180		
44	91005000010	FUEL HOSE (TANK-FILTER) Ø6X115		
45	95599960000	DAIHATSU 950G FUEL PUMP		
46	95599970000	FUEL FILTER DAIHATSU ENGINE		
47	91005300000	PUMP SUPPORT BRACKET		
48	00111810037	CLAMP Ø40		
49	00777800123	WATER TEMPERATURE SENSOR		

GT

#

P/N

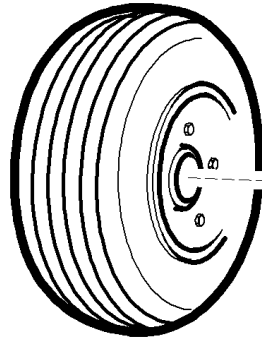
DESCRIPTION

GT

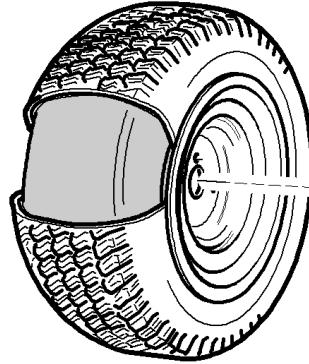
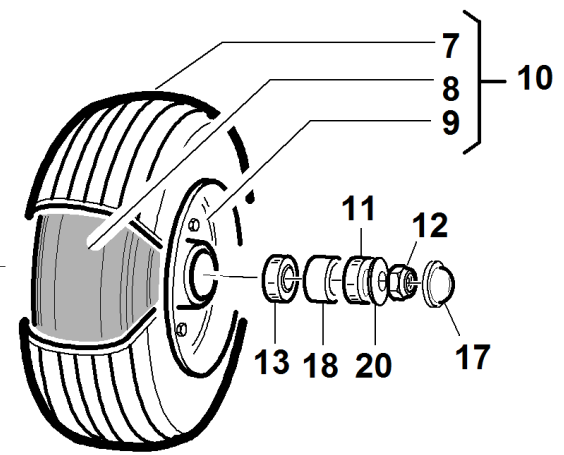
REF. 17

#	P/N	DESCRIPTION	GT	REF. 17

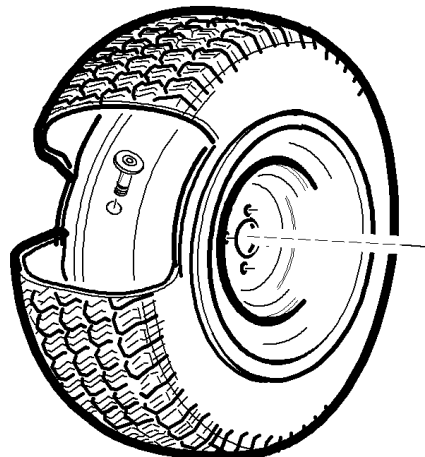
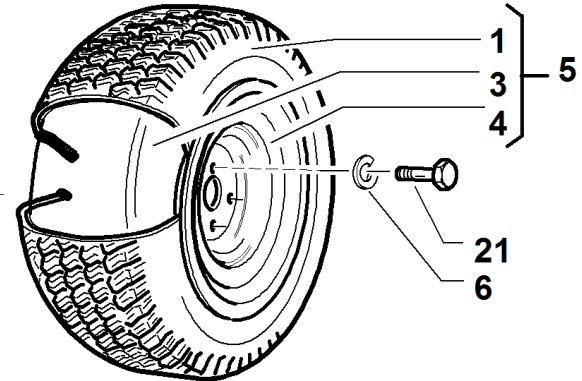
GT



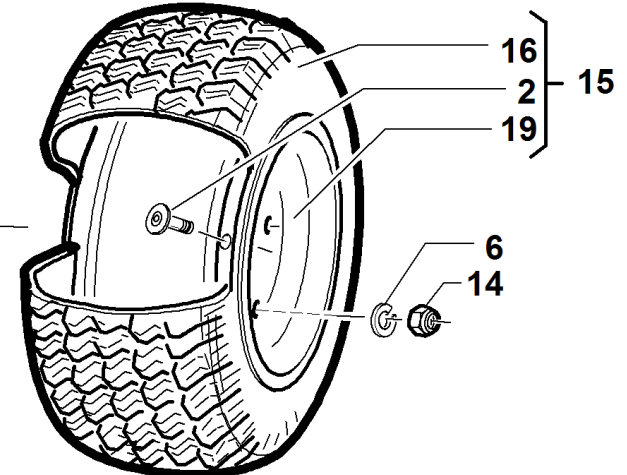
15"



16"



20"

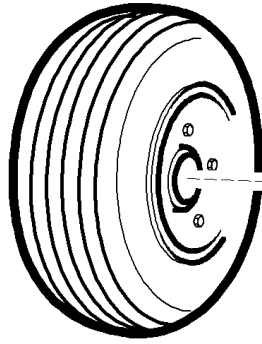


S/N
→1302001

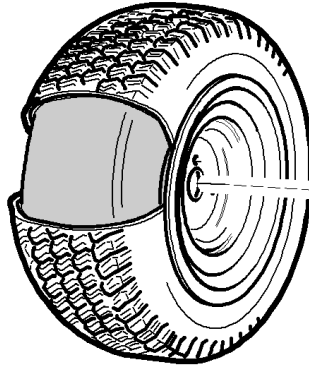
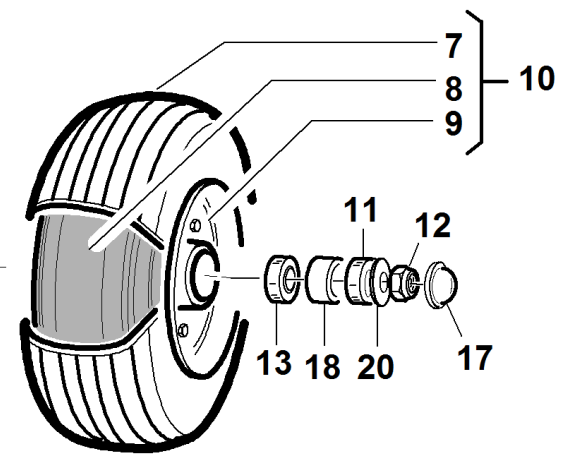
REF. 17 - 00555501269

#	P/N	DESCRIPTION	GT
1	00111940023	16X6,50-8 TIRE	
2	00111930006	TUBELESS VALVE TR413	
3	00111930003	INNER TUBE 16.6.50X8	
4	95303120001	RIM 16x5.00X8	
5	95303120000	16X6.50-8 WHEEL	
6	00111550004	ELASTIC WASHER M12	
7	00111940025	CARLISLE STRAIGHTRIB 15X6.00-6	
8	00111930005	INNER TUBE 15,6.00X6" TR13	
9	95311121000	RIM 15x6.00-6	
10	95311120000	WHEEL CARLISLE 15X6.00-6	
11	00777100008	BEARING 6204 2RS 20x47x14	
12	00111250011	SELF BL. NUT M14x1,5	
13	00777100028	KOYO BEARING 6303 2RS	
14	00111250009	SELF BL. NUT M12X1.5	
15	95318100000		
16	00111940031		
17	00777270005	CAP D=47	
18	95311121001	SPACER 21X30X35	
19	95318100001		
20	95303110004	SPACER D14.5XD35X3	
21	00111300055	SCREW TE M12X1,25X25	

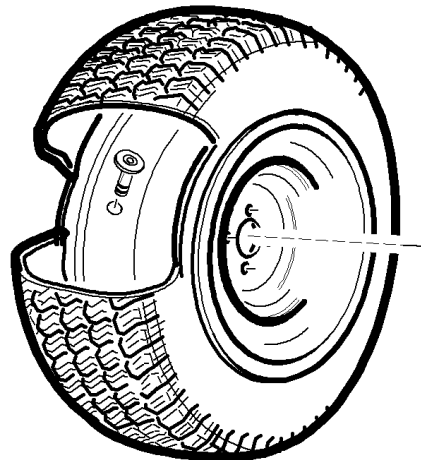
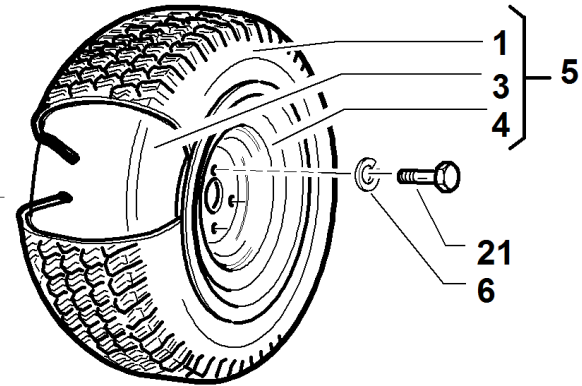
GT



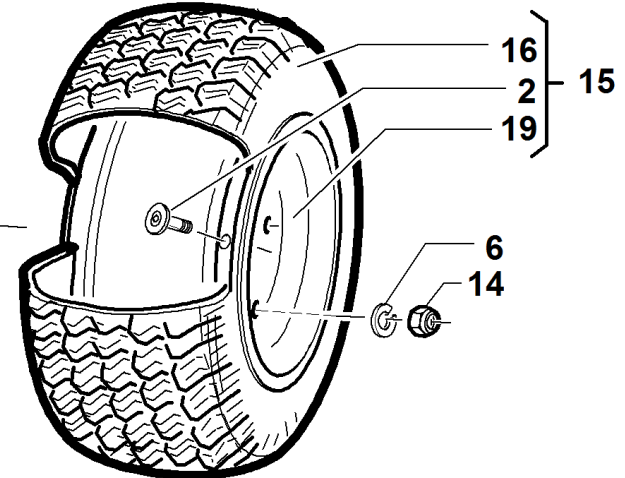
15"



16"



20"



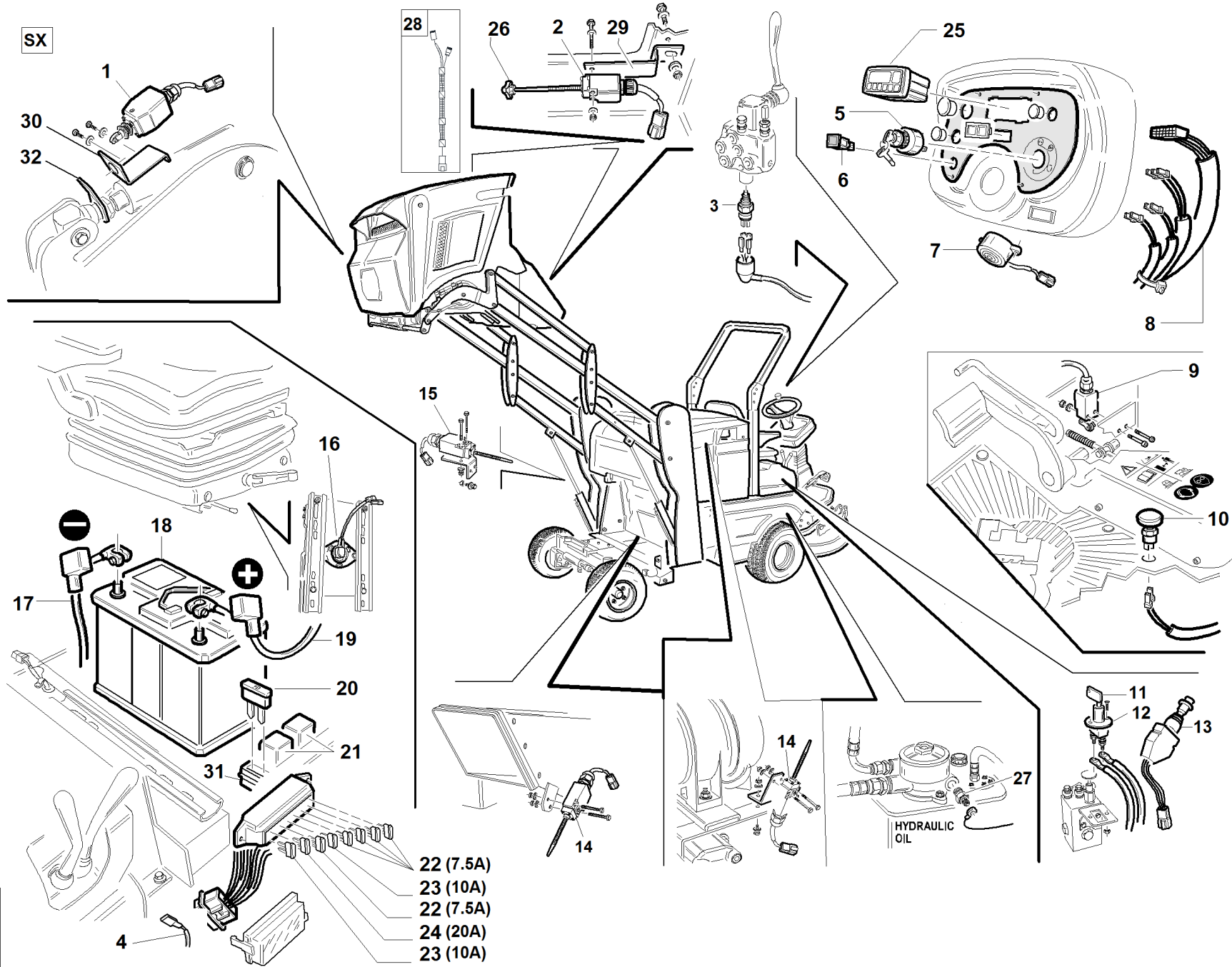
S/N

→ 0803001 ÷ 1301004 ←

REF. 17 - 00555501216

#	P/N	DESCRIPTION	GT
1	00111940023	BEREIFUNG 16X6.50-8 CARLISLE	
2	00111930006	VENTIL	
3	00111930003	LUFTSCHLAUCH 16.6.50X8	
4	95303120001	FELGE 16x5.00X8	
5	95303120000	RAD 16X6.50-8	
6	00111550004	FEDERSCHEIBE M12	
7	00111940025	CARLISLE REIFEN 15X6.00-6	
8	00111930005	LUFTSCHLAUCH 15.6.00X6 TR 13	
9	95311121000	FELGE 15x6.00-6	
10	95311120000	RAD CARLISLE 15X6.00-6 KMPL.	
11	00777100008	LAGER 6204 2RS 20x47x14	
12	00111250011	S.MUTTER M14X1,5 SELBSTSICHERND	
13	00777100028	LAGER 6303 2RS 17X47X14	
14	00111250009	RADMUTTER M12X1.5	
15	95208110000	CARLISERAD 20X10.00-8 KOMPL.	
16	95208110001	RASENREIFEN 20X10.00-8 4PR	
17	00777270005	ABDECKKAPPE D=47	
18	95311121001	DISTANZSTÜCK 21X30X35	
19	95046200001	FELGE 7.00X8	
20	95303110004	DISTANZSTÜCK D14.5XD35X3	
21	00111300055	SCHRAUBE TE M12X1,25X25	

GT



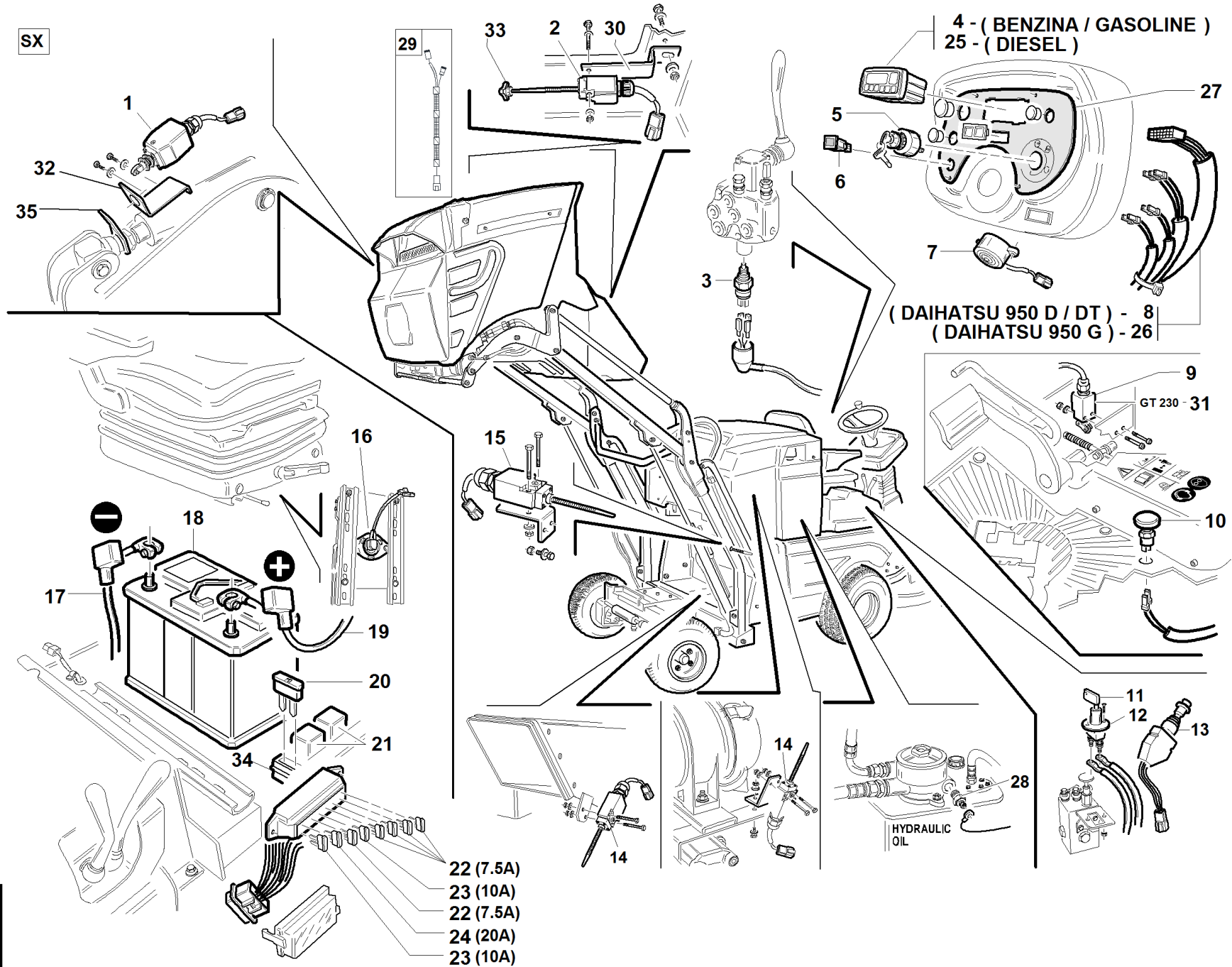
S/N
→1111005

REF. 18 - 00555501248

#	P/N	DESCRIPTION	GT
1	91002140002	GRASS CATCHER MOVEMENT MICRO	
2	94011240000	TG 200 FULL HOPPER WIRED MICRO	
3	00777800202	PTO MICRO SWITCH	
4	00777800240		
5	00777800130	KUBOTA KEY BLOCK	
6	91002140010	OBSTRUCTION FILTER PILOT LIGHT	
7	00777800191	WARNING HORN	
8	91009170001		
9	91002140008	PARKING BRAKE WIRED SWITCH	
10	91002140011	DIFFERENTIAL BLOCK SWITCH	
11	00777800203	BATTERY DISCONNECTION KEY	
12	00777800198	BATTERY SWITCH	
13	00777802700	WIRED JOYSTICK	
14	91002140007	MULTI-PURPOSE WIRED MICRO SWITCH	
15	91002140003	HIGH LIFT DUMP MOVEMENT MICRO	
16	00777800174	PG SEAT SWITCH	
17	91002140001	NEGATIVE BATTERY CABLE	
18	95599000036	BATTERY 12V 43A	
19	91002140012	POSITIVE BATTERY CABLE	
20	00777800099	FUSE 70A	
21	00777800098	RELAY 12V 70A	
22	00777800078	BLADE FUSE 7,5 AMP	
23	00777800079	BLADE FUSE 10A	
24	00777800126	BLADE FUSE 20A	
25	00777801000	COMPUTER PG	
26	00111970042	FEMALE KNOB THB20M4	
27	95599000061	DIFFERENTIAL PRESSURE SWITCH	
28	95599000116		
29	91001000031	HOPPER OVERTURNING QWITCH BRACKET	
30	94500630000	HOPPER MICRO SUPPORT	
31	00777800242		
32	91001000032	SWITCH PLATE	

GT

SX



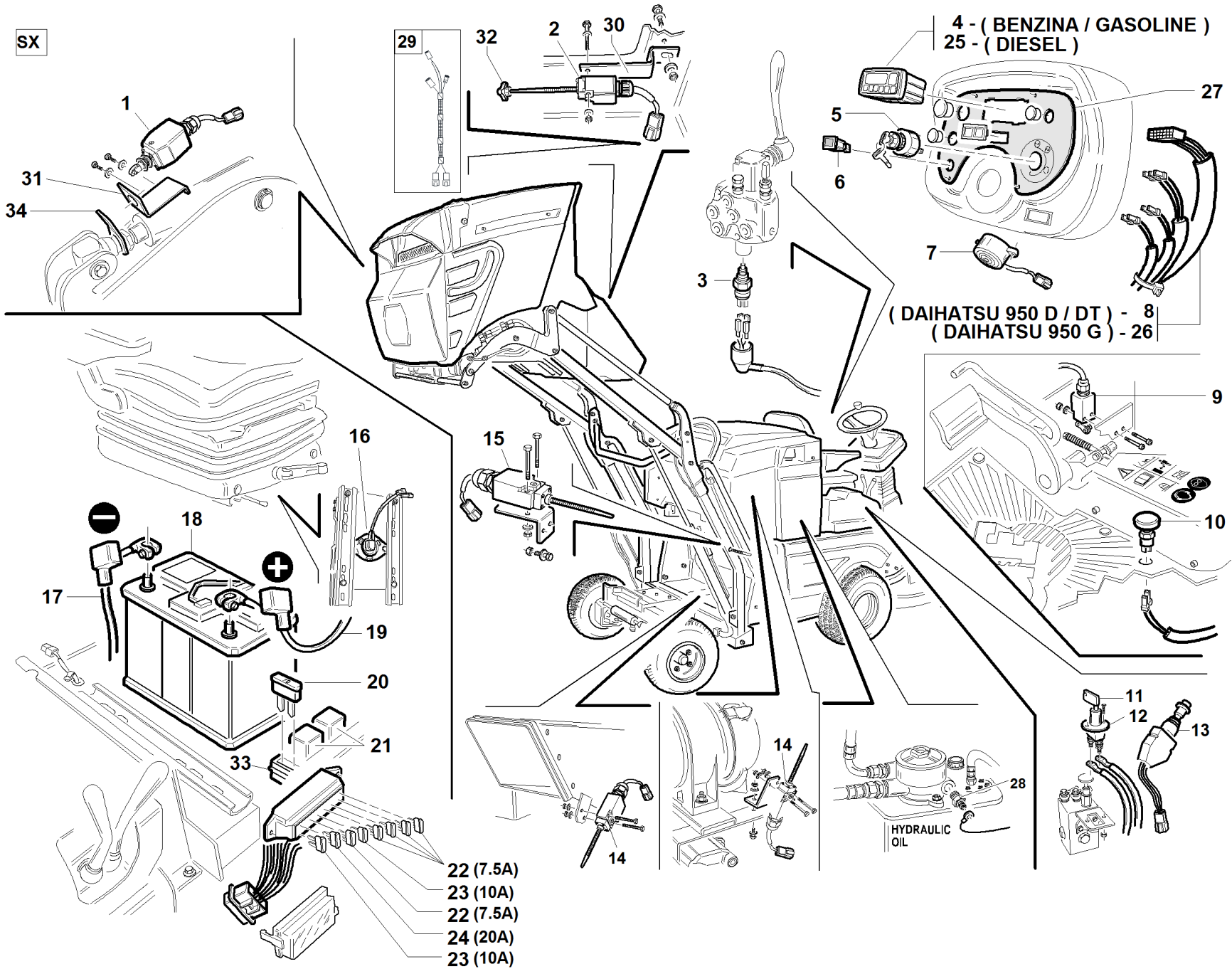
S/N

→ 1009001 ÷ 1111004 ←

REF. 18 - 00555501224

#	P/N	DESCRIPTION	GT
1	91002140002	GRASS CATCHER MOVEMENT MICRO	
2	94011240000	TG 200 FULL HOPPER WIRED MICRO	
3	00777800202	PTO MICRO SWITCH	
4	00777800195	PG/SR PETROL COMPUTER	
5	00777800222	START SWITCH	
6	91002140010	OBSTRUCTION FILTER PILOT LIGHT	
7	00777800191	WARNING HORN	
8	91002140013		
9	91002140008	PARKING BRAKE WIRED SWITCH	
10	91002140011	DIFFERENTIAL BLOCK SWITCH	
11	00777800203	BATTERY DISCONNECTION KEY	
12	00777800198	BATTERY SWITCH	
13	00777802700	WIRED JOYSTICK	
14	91002140007	MULTI-PURPOSE WIRED MICRO SWITCH	
15	91002140003	HIGH LIFT DUMP MOVEMENT MICRO	
16	00777800174	PG SEAT SWITCH	
17	91002140001	NEGATIVE BATTERY CABLE	
18	95599000036	BATTERY 12V 43A	
19	91002140012	POSITIVE BATTERY CABLE	
20	00777800099	FUSE 70A	
21	00777800098	RELAY 12V 70A	
22	00777800078	BLADE FUSE 7,5 AMP	
23	00777800079	BLADE FUSE 10A	
24	00777800126	BLADE FUSE 20A	
25	00777801000	COMPUTER PG	
26	91005110002		
27	91006000002	GT DASHBOARD PLATE	
28	95599000061	DIFFERENTIAL PRESSURE SWITCH	
29	95599000116		
30	94500630000	HOPPER MICRO SUPPORT	
31	91008110002		
32	91001000031	HOPPER OVERTURNING QWITCH BRACKET	
33	00111970042	FEMALE KNOB THB20M4	
34	00777800242		
35	91001000032	SWITCH PLATE	

GT



S/N

→ **0803001 ÷ 1008001** ←

REF.18 - 00555501217

#	P/N	DESCRIPTION	GT
1	91002140002	GRASS CATCHER MOVEMENT MICRO	
2	94011240000	TG 200 FULL HOPPER WIRED MICRO	
3	00777800202	PTO MICRO SWITCH	
4	00777800195	PG/SR PETROL COMPUTER	
5	00777800222	START SWITCH	
6	91002140010	OBSTRUCTION FILTER PILOT LIGHT	
7	00777800191	WARNING HORN	
8	91002140005	GT300DW-270D CENTRAL HARNESS	
9	91002140008	PARKING BRAKE WIRED SWITCH	
10	91002140011	DIFFERENTIAL BLOCK SWITCH	
11	00777800203	BATTERY DISCONNECTION KEY	
12	00777800198	BATTERY SWITCH	
13	00777802700	WIRED JOYSTICK	
14	91002140007	MULTI-PURPOSE WIRED MICRO SWITCH	
15	91002140003	HIGH LIFT DUMP MOVEMENT MICRO	
16	00777800174	PG SEAT SWITCH	
17	91002140001	NEGATIVE BATTERY CABLE	
18	95599000036	BATTERY 12V 43A	
19	91002140004	POSITIVE BATTERY CABLE	
20	00777800099	FUSE 70A	
21	00777800098	RELAY 12V 70A	
22	00777800078	BLADE FUSE 7,5 AMP	
23	00777800079	BLADE FUSE 10A	
24	00777800126	BLADE FUSE 20A	
25	00777801000	COMPUTER PG	
26	91005110001		
27	91006000002	GT DASHBOARD PLATE	
28	95599000061	DIFFERENTIAL PRESSURE SWITCH	
29	95599000115		
30	94500630000	HOPPER MICRO SUPPORT	
31	91001000031	HOPPER OVERTURNING QWITCH BRACKET	
32	00111970042	FEMALE KNOB THB20M4	
33	00777800242		
34	91001000032	SWITCH PLATE	

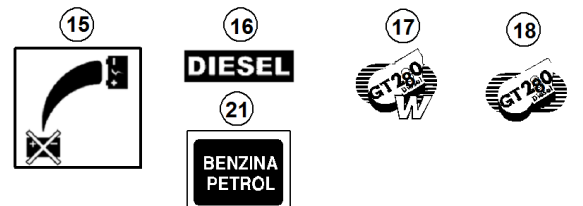
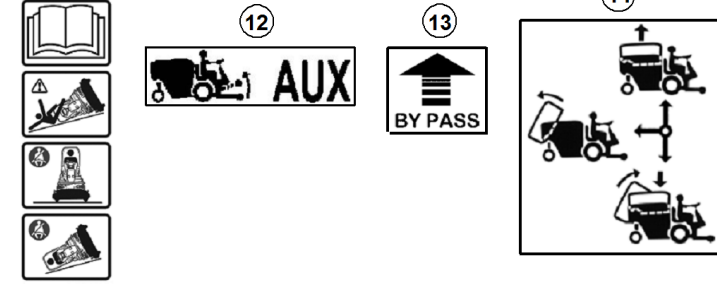
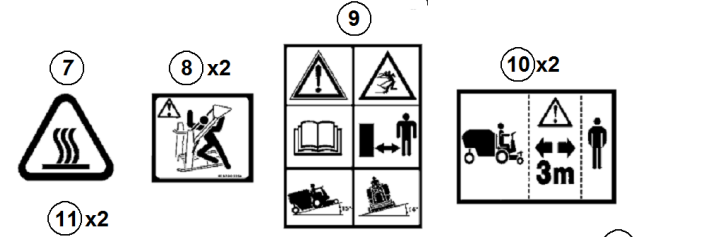
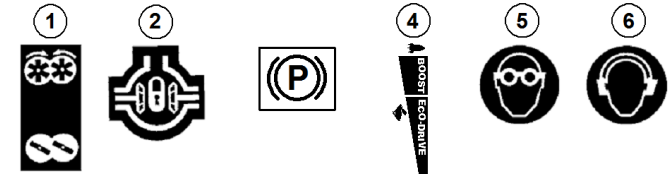
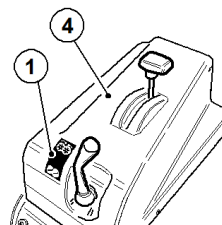
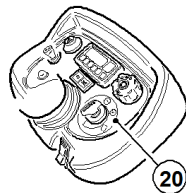
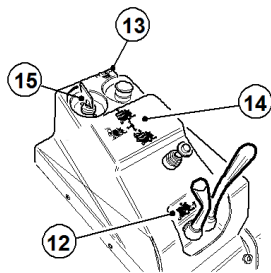
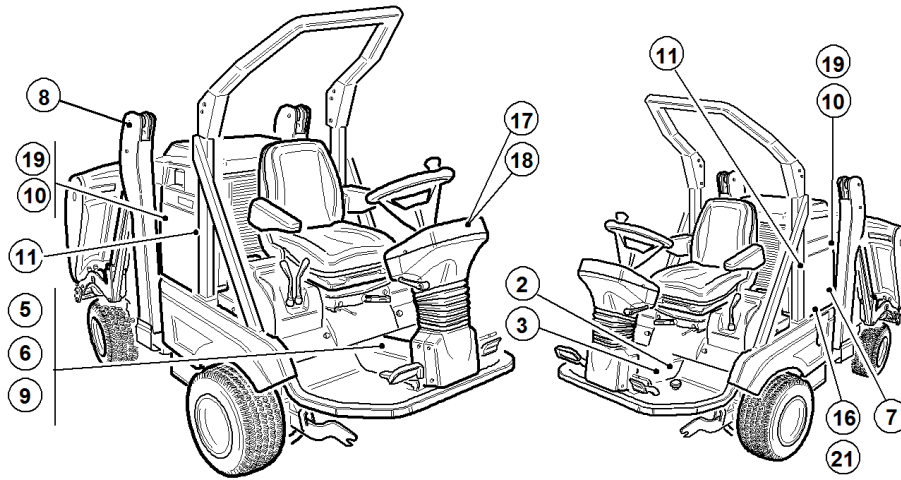
#

P/N

DESCRIPTION

REF. 19

#	P/N	DESCRIPTION	REF. 19

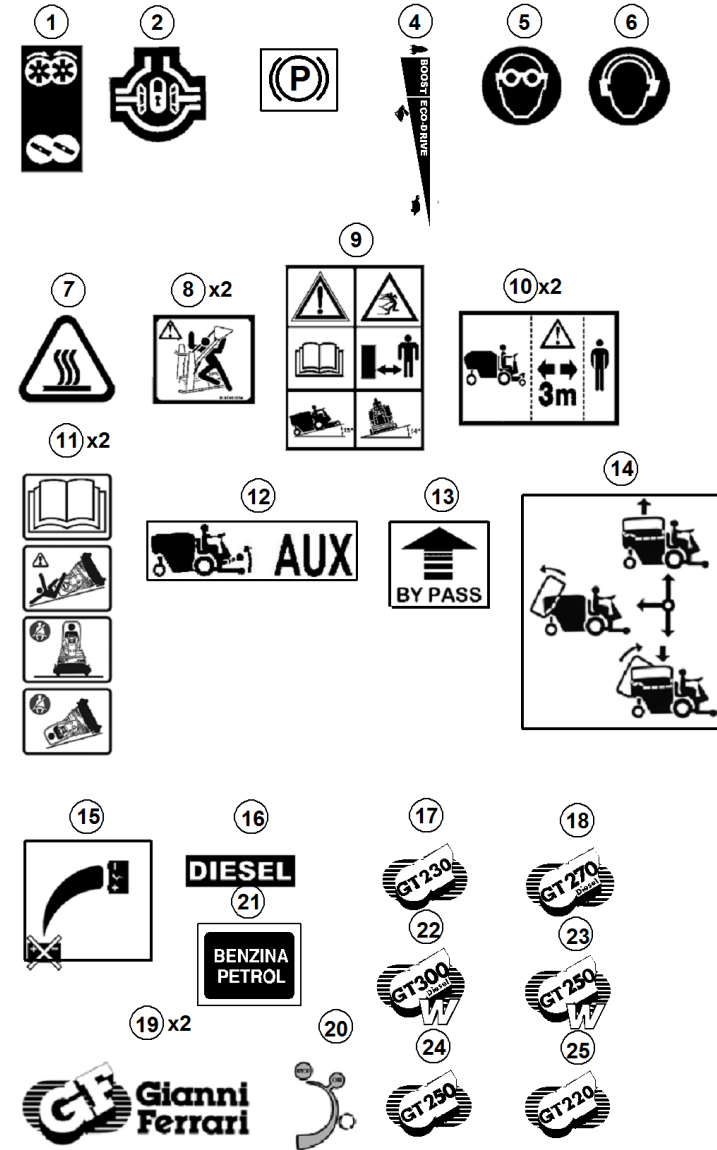
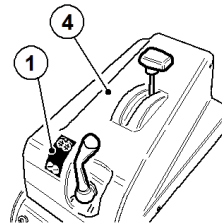
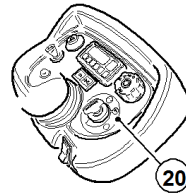
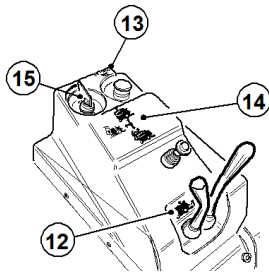
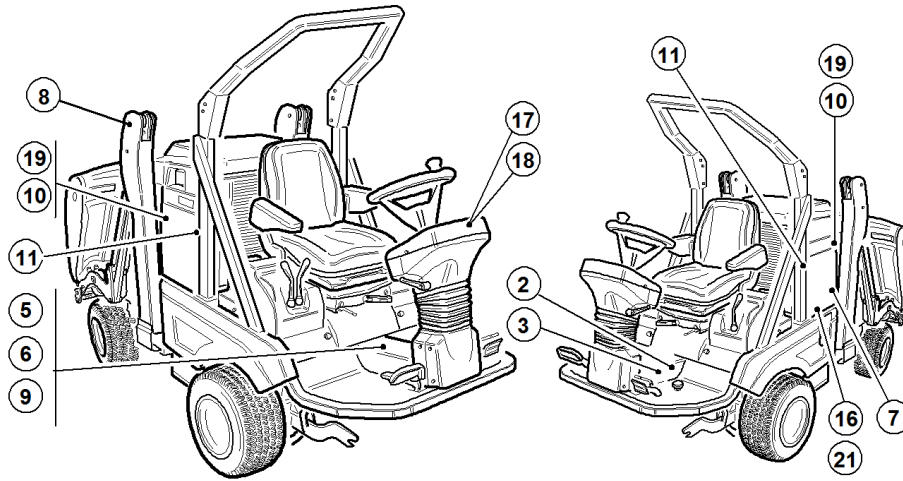


S/N
→1111005

REF. 19 - 0055501243

#	P/N	DESCRIPTION	GT
1	00555200006	TRANSFER PRINTING	
2	00555200008	TRANSFER PRINTING BLOC	
4	00555200283		
5	00555200130	TRANSFER PRINTING EYE PROTECTION	
6	00555200129	TRANSFER PRINT.HEARING PROTEC.	
7	00555200142	TRANSFER PRINTING	
8	00555200119	TRANSFER PRINTING	
9	00555200206	DANGER TRANSFER PRINTING GT	
10	00555200018	TRANF. KEEP AWAY	
11	00555200257	ROPS-SAFETY TRANSFER PRINT	
12	00555200203	TRANSFER PRINTING FOR MOWER DECK & AUX	
13	00555200124	TRANSFER PRINTING	
14	00555200205	GT JOYSTICK TRANSFER PRINTING	
15	00555200201	GT-BATTERY OFF TRANSF.PRINTING	
16	00555200114	TRANSFER PRINTING "DIESEL"	
17	00555200265	STICKER	
18	00555200264	STICKER	
19	00555200165	YELLOW GIANNI FERRARI TRANSF. PRINTING	
20	00555200144	TRANSFER PRINTING	
21	00555200163	"PETROL" FUEL TRANSFER PRINTING	

GT

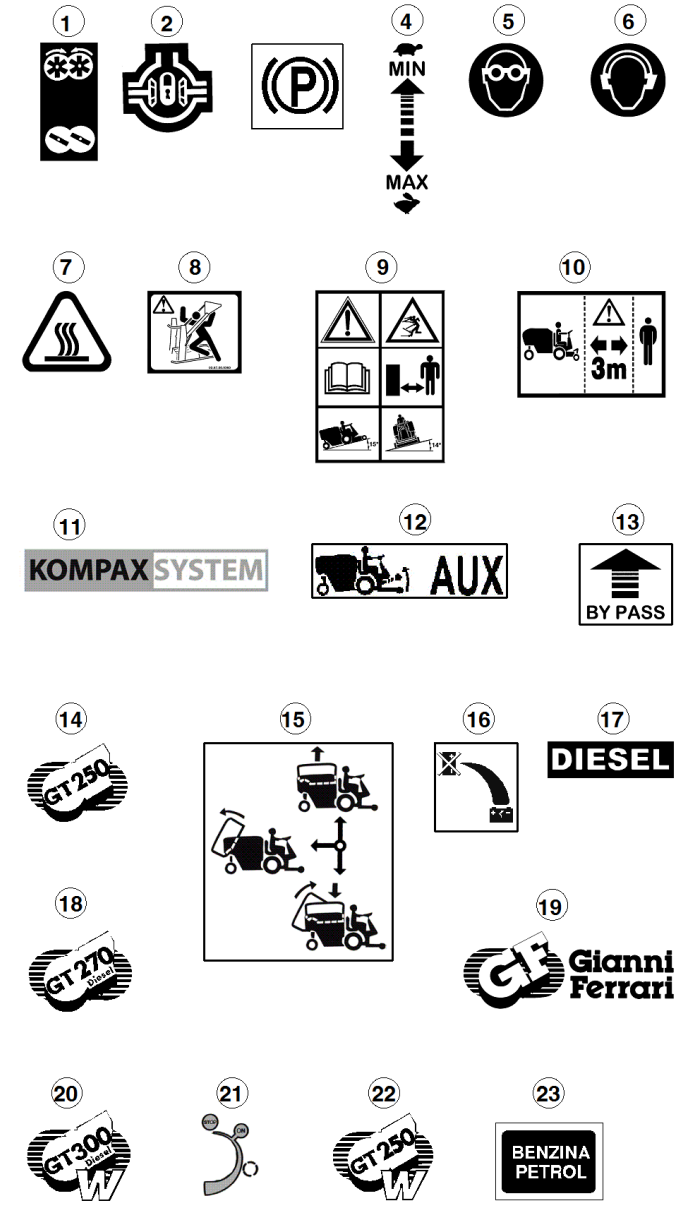
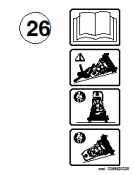
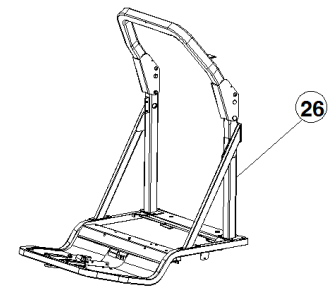
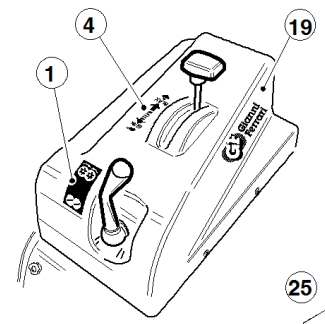
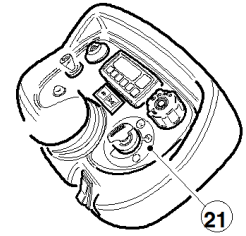
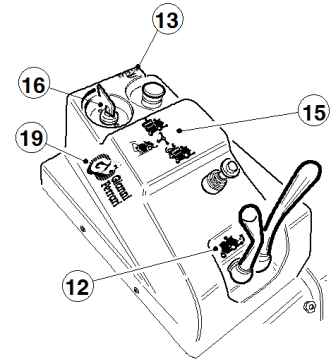
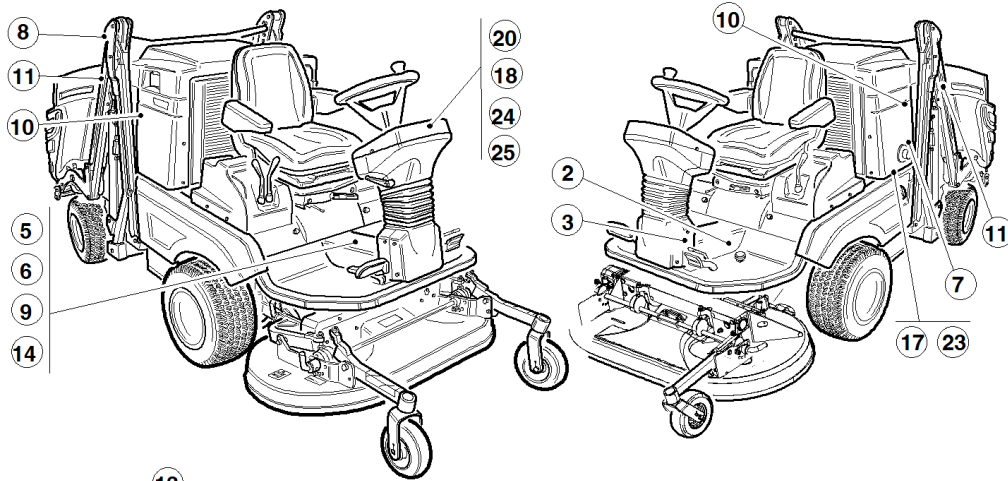


S/N
→ 1009001 ÷ 1111004 ←

REF. 19 - 00555501278

#	P/N	DESCRIPTION	GT
1	00555200006	TRANSFER PRINTING	
2	00555200008	TRANSFER PRINTING BLOC	
4	00555200283		
5	00555200130	TRANSFER PRINTING EYE PROTECTION	
6	00555200129	TRANSFER PRINT.HEARING PROTEC.	
7	00555200142	TRANSFER PRINTING	
8	00555200119	TRANSFER PRINTING	
9	00555200206	DANGER TRANSFER PRINTING GT	
10	00555200018	TRANF. KEEP AWAY	
11	00555200257	ROPS-SAFETY TRANSFER PRINT	
12	00555200203	TRANSFER PRINTING FOR MOWER DECK & AUX	
13	00555200124	TRANSFER PRINTING	
14	00555200205	GT JOYSTICK TRANSFER PRINTING	
15	00555200201	GT-BATTERY OFF TRANSF.PRINTING	
16	00555200114	TRANSFER PRINTING "DIESEL"	
17	00555200252		
18	00555200202	GT 270D-TRANSFER PRINTING	
19	00555200165	YELLOW GIANNI FERRARI TRANSF. PRINTING	
20	00555200144	TRANSFER PRINTING	
21	00555200163	"PETROL" FUEL TRANSFER PRINTING	
22	00555200197	GT300DW-TRANSFER PRINTING	
23	00555200213	TRANSFER PRINTING "GT 250 W"	
24	00555200214	TRANSFER PRINTING "GT 250 "	
25	00555200229	TRANSFER PRINTING "GT 220"	

GT

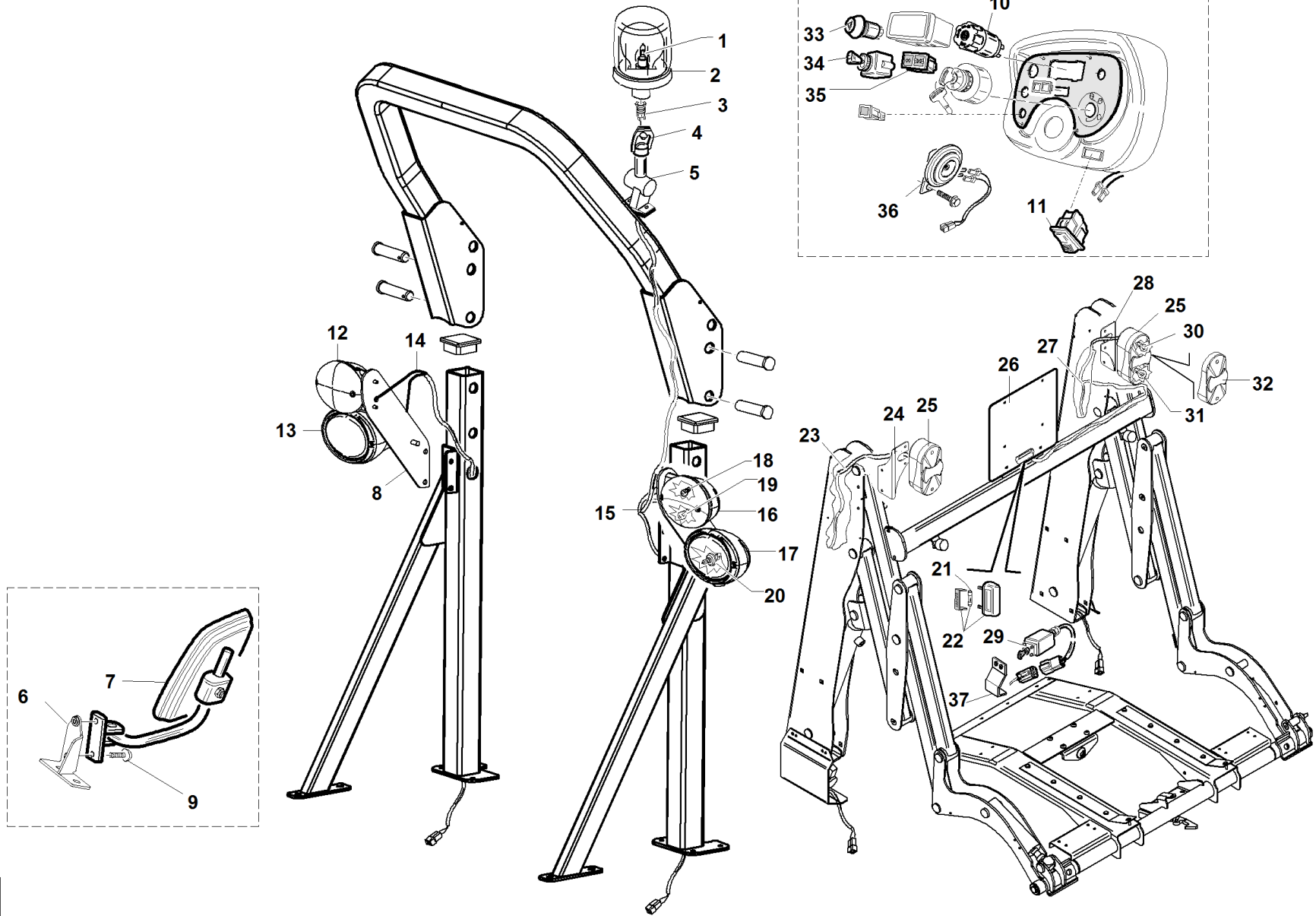


S/N
 → 0803001 ÷ 1008001 ←

REF. 19 - 00555501218

#	P/N	DESCRIPTION	GT
1	00555200006	TRANSFER PRINTING	
2	00555200008	TRANSFER PRINTING BLOC	
4	00555200127	TRANSFER PRINTING	
5	00555200130	TRANSFER PRINTING EYE PROTECTION	
6	00555200129	TRANSFER PRINT.HEARING PROTEC.	
7	00555200142	TRANSFER PRINTING	
8	00555200119	TRANSFER PRINTING	
9	00555200206	DANGER TRANSFER PRINTING GT	
10	00555200018	TRANF. KEEP AWAY	
11	00555200199	TRANSFER PRINTING "KOMPAX SYSTEM"	
12	00555200203	TRANSFER PRINTING FOR MOWER DECK & AUX	
13	00555200124	TRANSFER PRINTING	
14	00555200214	TRANSFER PRINTING "GT 250 "	
15	00555200205	GT JOYSTICK TRANSFER PRINTING	
16	00555200201	GT-BATTERY OFF TRANSF.PRINTING	
17	00555200114	TRANSFER PRINTING "DIESEL"	
18	00555200202	GT 270D-TRANSFER PRINTING	
19	00555200165	YELLOW GIANNI FERRARI TRANSF. PRINTING	
20	00555200197	GT300DW-TRANSFER PRINTING	
21	00555200144	TRANSFER PRINTING	
22	00555200213	TRANSFER PRINTING "GT 250 W"	
23	00555200163	"PETROL" FUEL TRANSFER PRINTING	
24	00555200229	TRANSFER PRINTING "GT 220"	
25	00555200252		
26	00555200257	ROPS-SAFETY TRANSFER PRINT	

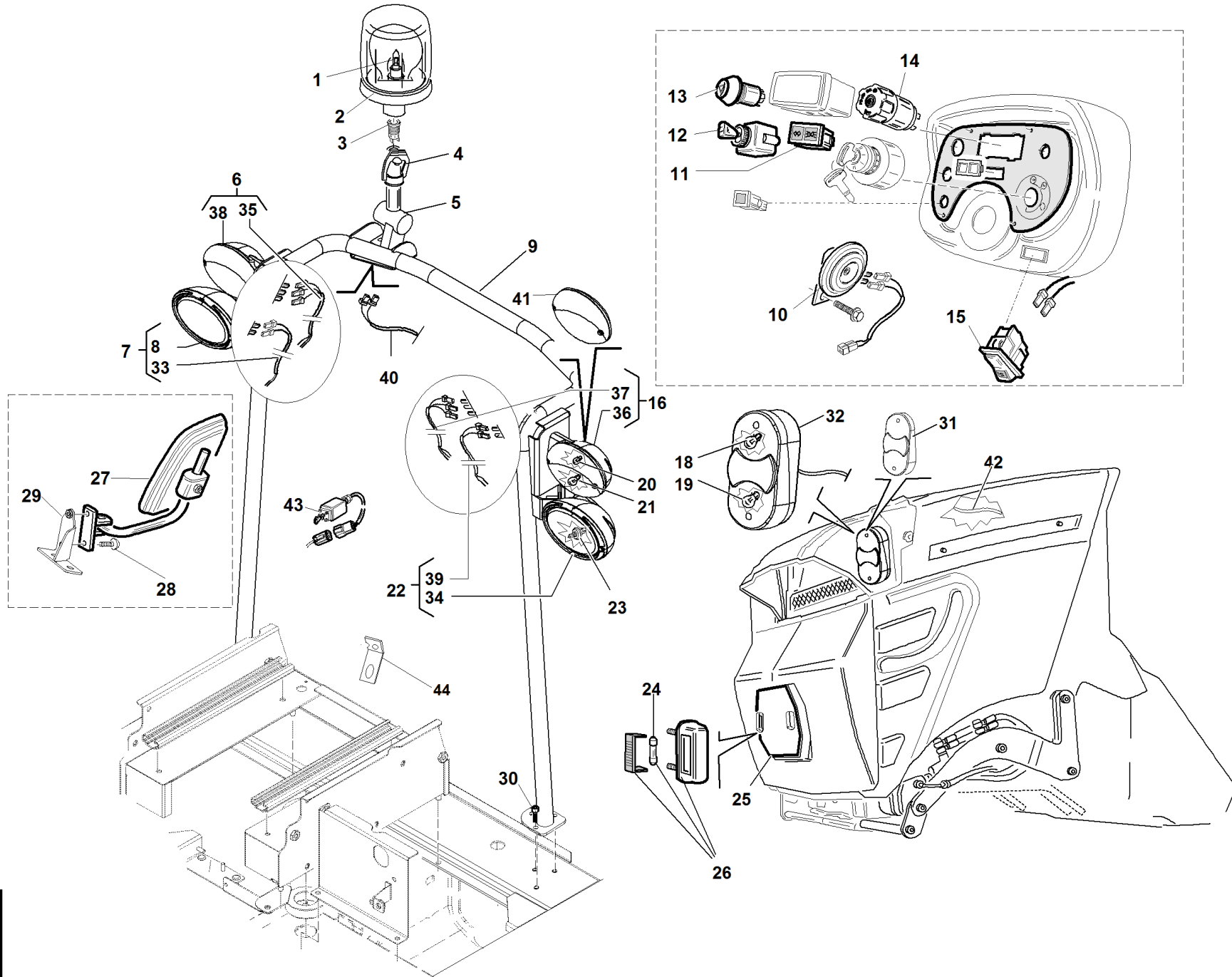
GT-W



S/N
→1009001

REF. 20 - 00555501233

#	P/N	DESCRIPTION	GT-W
1	00777800180	BULB H1 12V 55W	
2	00777802800	ROTATING LAMP	
3	00777801401	LAMP CONNECTOR	
4	00777801402	LAMP PLASTIC CAP	
5	00111971100	LAMP SUPPORT	
6	91101300000	MIRROR SUPPORT BRACKET	
7	00111970154	LEFT REARVIEW MIRROR	
8	91112101201		
9	00111450016	SCREW	
10	00777800143	LIGHT SWITCH AND HORN BUTTON	
11	00777800145	LAMP SWITCH	
12	95599000070	FRONT LIGHT RIGHT ARROW+PARKING LIGHT	
13	95599000072		
14	91112101202		
15	91112101301		
16	95599000071	FRONT LIGHT LEFT ARROW +PARKING LIGHT	
17	95599000073		
18	00777800178	BULB 12V P21W	
19	00777800177	BULB 12V R5W	
20	00777800225	BULB H7 12V 55W	
21	00777800181	BULB 12V C5W	
22	00777802000	PLATE LIGHT	
23	91112101101		
24	91112000002		
25	95599000082		
26	91112000003		
27	91112101001		
28	91112000001		
29	95162201300	STOP LIGHT WIRED MICRO	
30	00777800226	LAMP 12V PY21W	
31	00777800179	BULB 12V P21/5W	
32	95599000077		
33	00777800144	EMERGENCY LIGHT SWITCH	
34	00777800142	TURN INDICATOR SWITCH	
35	00777800141	DIRECTION INDICATOR TELLTALE	
36	00777800022	HORN 12V	
37	91112110000		



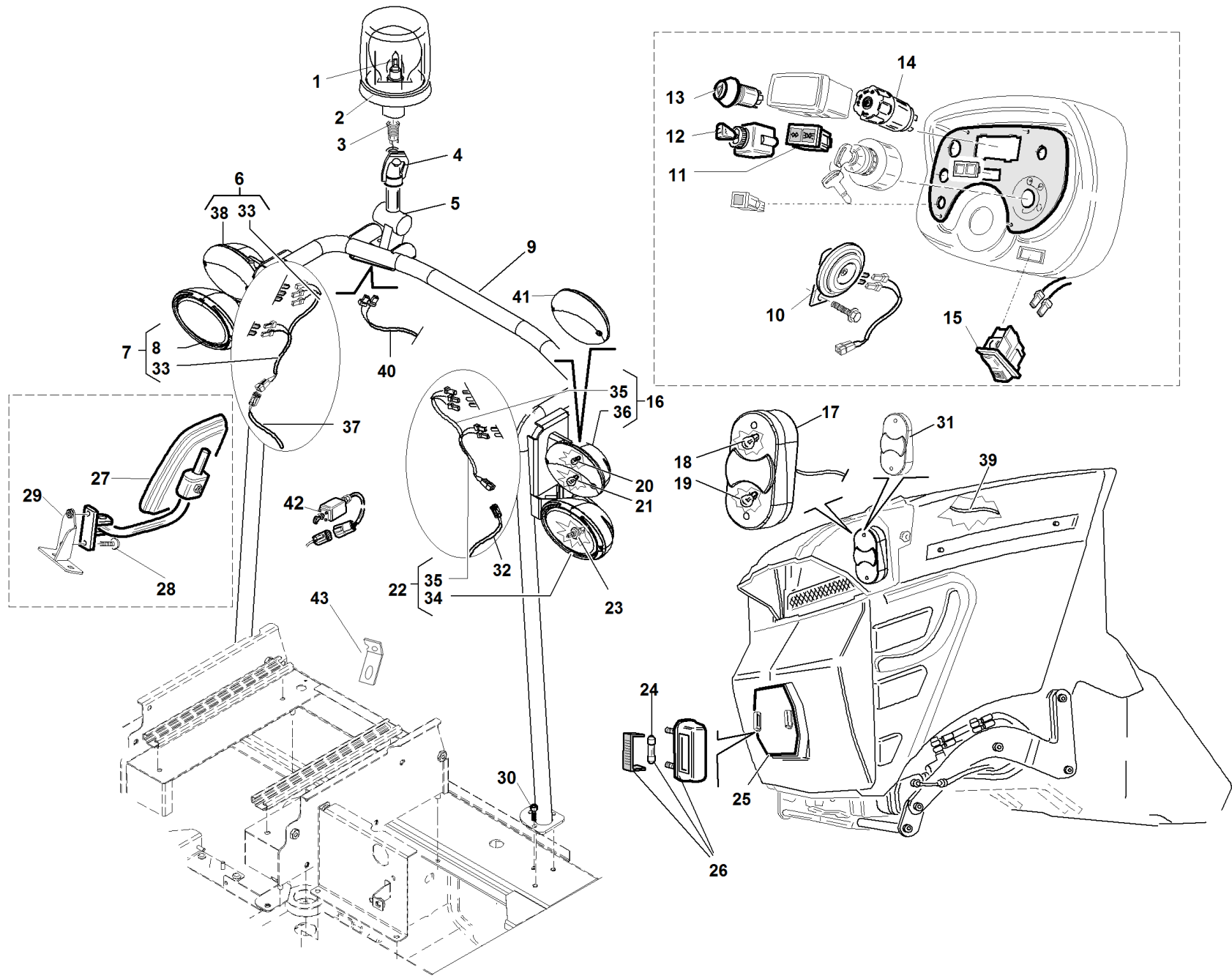
S/N

→ **0811001 ÷ 1008001** ←

REF. 20 - 00555501223

#	P/N	DESCRIPTION	GT-W
1	00777800180	BULB H1 12V 55W	
2	00777802800	ROTATING LAMP	
3	00777801401	LAMP CONNECTOR	
4	00777801402	LAMP PLASTIC CAP	
5	00111971100	LAMP SUPPORT	
6	91107100003	FRONT WIRED RIGHT LIGHT + ARROW	
7	91107100001	RIGHT DIPPED HEADLIGHT	
8	95599000072		
9	91101200000		
10	00777800022	HORN 12V	
11	00777800141	DIRECTION INDICATOR TELLTALE	
12	00777800142	TURN INDICATOR SWITCH	
13	00777800144	EMERGENCY LIGHT SWITCH	
14	00777800143	LIGHT SWITCH AND HORN BUTTON	
15	00777800145	LAMP SWITCH	
16	91107100004	WIRED FRONT LIGHT LEFT+ ARROW	
18	00777800226	LAMP 12V PY21W	
19	00777800179	BULB 12V P21/5W	
20	00777800178	BULB 12V P21W	
21	00777800177	BULB 12V R5W	
22	91107100002	DIPPED HEADLIGHT LEFT	
23	00777800225	BULB H7 12V 55W	
24	00777800181	BULB 12V C5W	
25	95162000004	PLATE SUPPORT	
26	00777802000	PLATE LIGHT	
27	00111970154	LEFT REARVIEW MIRROR	
28	00111450016	SCREW	
29	91101300000	MIRROR SUPPORT BRACKET	
30	00111400021	ALLEN SCREW M8X20	
31	95599000077		
32	91101100005	REAR LEFT LIGHT	
33	95599000080		
34	95599000073		
35	95599000078		
36	95599000071	FRONT LIGHT LEFT ARROW +PARKING LIGHT	
37	95599000079		
38	95599000070	FRONT LIGHT RIGHT ARROW+PARKING LIGHT	
39	95599000081		
40	91107100005		
41	95599000076	FRONT+REAR INDICATOR LIGT GLASS	
42	91101100006	REAR LIGHT HARNESS-GT	
43	95162201300	STOP LIGHT WIRED MICRO	
44	91101000001	STOP - SWITCH FIXING BRACKET	

GT-W



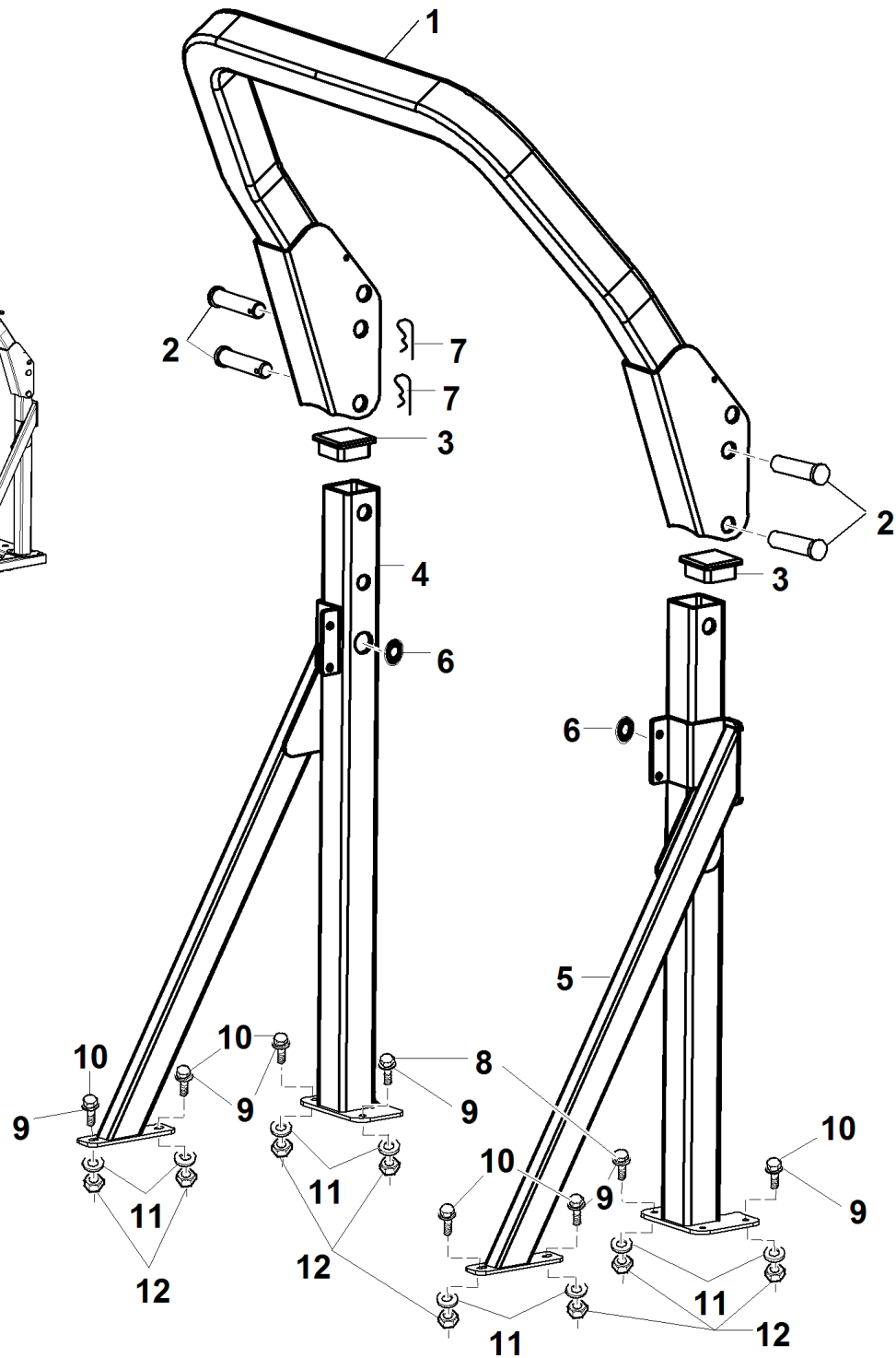
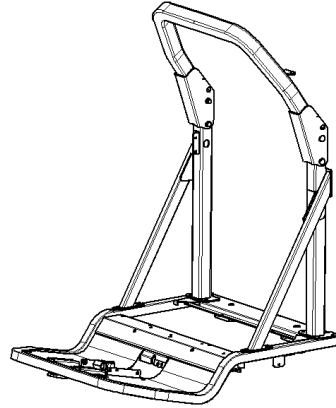
S/N

→ **0803001 ÷ 0810016** ←

REF. 20 - 00555501222

#	P/N	DESCRIPTION	GT-W
1	00777800180	BULB H1 12V 55W	
2	00777802800	ROTATING LAMP	
3	00777801401	LAMP CONNECTOR	
4	00777801402	LAMP PLASTIC CAP	
5	00111971100	LAMP SUPPORT	
6	91101100003	RIGHT FRONT LIGHT	
7	91101100001	RIGHT DIPPED LIGHT PROJECTOR	
8	95599000072		
9	91101200000		
10	00777800022	HORN 12V	
11	00777800141	DIRECTION INDICATOR TELLTALE	
12	00777800142	TURN INDICATOR SWITCH	
13	00777800144	EMERGENCY LIGHT SWITCH	
14	00777800143	LIGHT SWITCH AND HORN BUTTON	
15	00777800145	LAMP SWITCH	
16	91101100004	LEFT FRONT LIGHT	
17	91101100005	REAR LEFT LIGHT	
18	00777800226	LAMP 12V PY21W	
19	00777800179	BULB 12V P21/5W	
20	00777800178	BULB 12V P21W	
21	00777800177	BULB 12V R5W	
22	91101100002	LEFT DIPPED LIGHT PROJECTOR	
23	00777800225	BULB H7 12V 55W	
24	00777800181	BULB 12V C5W	
25	95162000004	PLATE SUPPORT	
26	00777802000	PLATE LIGHT	
27	00111970154	LEFT REARVIEW MIRROR	
28	00111450016	SCREW	
29	91101300000	MIRROR SUPPORT BRACKET	
30	00111400021	ALLEN SCREW M8X20	
31	95599000077		
32	91101100007	LEFT DIRECTION LIGHT HARNESS GT	
33	95599000074		
34	95599000073		
35	95599000075		
36	95599000071	FRONT LIGHT LEFT ARROW +PARKING LIGHT	
37	91101100008	RIGHT DIRECTION LIHT HARNESS GT	
38	95599000070	FRONT LIGHT RIGHT ARROW+PARKING LIGHT	
39	91101100006	REAR LIGHT HARNESS-GT	
40	91101100009	ROTATING LAMP HARNESS GT	
41	95599000076	FRONT+REAR INDICATOR LIGT GLASS	
42	95162201300	STOP LIGHT WIRED MICRO	
43	91101000001	STOP - SWITCH FIXING BRACKET	

ROPS



#	P/N	DESCRIPTION
1	91111120000	
2	91111000001	
3	00111970216	
4	91111100000	
5	91111110000	
6	00111970198	
7	00111750008	
8	00111000033	SCREW TE M8X30
9	00111000087	WASHER P.8,4X15.6X1,5
10	00111000033	SCREW TE M8X30
11	00111000061	WASHER 8.4X24X2
12	00111000071	SELF BLO. NUT M8